

IMPORTANT NOTICE

The following document is NOT comprehensive for design, bidding, or installation when used in isolation. Please refer to all related documents in their entirety for complete information regarding this ACM panel system. Such documents include, but may not be limited to, Technical Guides, Architectural Color Chart, Approved Materials List, Systems Guides, Technical Bulletins, Technical Data Sheets, CAD Drawings, Specifications, and Submittals. Visit LaminatorsInc.com for information on the latest documents regarding this panel system.

INSTALLATION GUIDE ERRATA – ROUT & RETURN

1. [Effective 2/7/2020] Modify Page 6, Step 7 as follows:
 - This step is to be omitted. No fasteners are to be installed in reinforcing angles (Part No. 44DS-ANGLE)

CONTACT US

To consult directly with one of our Professional Engineers regarding our ACM panel systems, contact Laminators Technical Support between the hours of 8:00am – 5:00pm EST:

800.523.2347
LaminatorsInc.com
engineering@laminatorsinc.com

INSTRUCTIONS FOR NFPA 285 COMPLIANCE

With respect to fire performance, the Rout & Return Installation System must be installed over fire-retardant-treated wood (FRTW) structural sheathing (panels) in order to achieve NFPA 285 compliance (in Type III construction only). Note the following when detailing the Rout & Return Installation System:

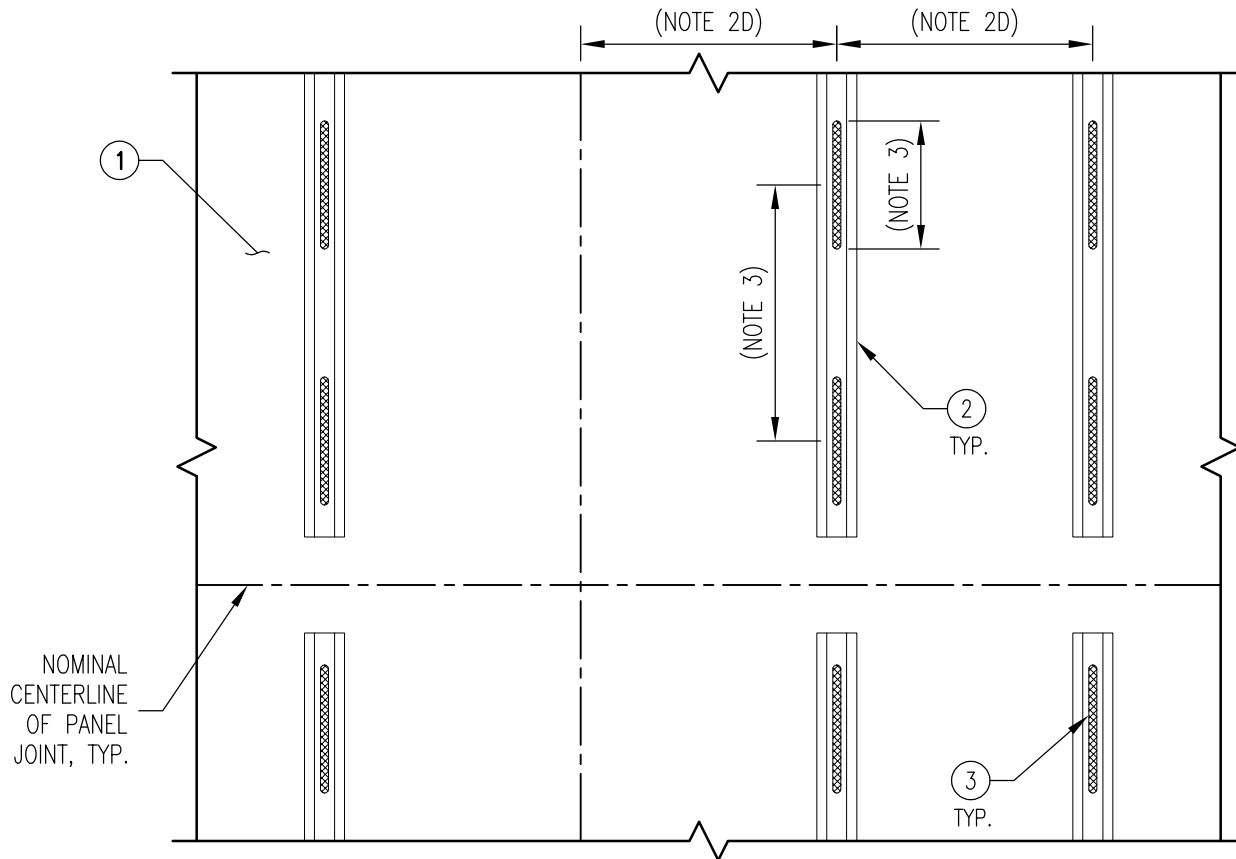
1. The following document represents the referenced system as it has been designed, detailed, and tested and its relationship with a typical exterior wall assembly. As such, the document may be considered a baseline for the system and appropriately applied to project-specific conditions.
 - a. Laminators defines the NFPA 285 Zone as the area contained within a 10'-0" height above any window by the width of the window opening. The following document does not include a partial elevation that outlines the NFPA 285 Zone and related dimensions, notes, and sections. However, in order to maintain NFPA 285 compliance, specialized detailing is still required in the NFPA 285 Zone and at window heads as follows:
 - i. All horizontal panel joints within the NFPA 285 Zone require additional fasteners per detail RR-PLY-01A or must have rivets installed per detail RR-PLY-01B.
 - ii. Additional layers of steel flashing are required at window heads per detail RR-PLY-02A.
 - iii. Vertical panel joints are not permitted above window openings within the NFPA 285 Zone. All vertical joints must align with vertical window jambs or mullions.
2. Through the use of a specific Engineering Evaluation (EEV) available from Laminators, engineering extensions may be made (in lieu of what has been tested) with respect to base wall framing, fire-stopping at floor lines, cavity insulation, and water-resistive barrier (WRB) components while maintaining NFPA 285 compliance. The EEV may be required for submission to the Authority Having Jurisdiction (AHJ) to support the extensions.
3. If one or more engineering extensions are required beyond what is provided in the EEV available from Laminators, it is the responsibility of a third-party to pursue obtaining a separate EEV that adequately addresses each intended substitution. Note that Laminators cannot serve as the third-party in efforts to obtain such an EEV.

Note that the application of any engineering extension for NFPA 285 compliance will need to be evaluated by the Design Professional of Record (DPR) with respect to potential impact on any air, structural, and water performance of the project-specific exterior wall assembly. It is possible that components substituted to achieve fire testing compliance will affect the assembly differently with respect to air, structural, and water performance and need to be coordinated.

If the Rout & Return Installation System is intended to be installed over a different substrate (e.g. gypsum (non-structural) sheathing, CMU, concrete, or Omega CI rigid insulation panels), please defer to the appropriate detail set.

DRAWING INDEX – RR-PLY DETAIL SET (Rev 01, 12/03/2020)

DWG NO.	TITLE	REV DATE	REV	CHANGE FROM PREVIOUS REV
RR-PLY-EL	Partial System Elevation	12/3/2020	01	Stiffener to joint spacing clarified; Min screw length specified
RR-PLY-ST	Panel Stiffener Detail	8/4/2020	00	
RR-PLY-01	Joint Detail	12/3/2020	01	System depth added; Min screw length specified
RR-PLY-01A	Horizontal Joint Detail (NFPA 285 Zone)	12/3/2020	01	Min screw length specified
RR-PLY-01B	Joint Detail (Rivet Option)	8/4/2020	00	
RR-PLY-02	Window Head Detail	8/4/2020	00	
RR-PLY-02A	Window Head Detail (NFPA 285 Zone)	12/3/2020	01	Min screw length specified
RR-PLY-03	Window Sill Detail	8/4/2020	00	
RR-PLY-04	Window Jamb / Vertical Edge Detail	8/4/2020	00	
RR-PLY-05	Top of Wall Detail	8/4/2020	00	
RR-PLY-06	Base of Wall (Grade) Detail	8/4/2020	00	
RR-PLY-07	Inside Corner Detail	8/4/2020	00	
RR-PLY-08	Outside Corner Detail	8/4/2020	00	
RR-PLY-09	Fascia-to-Soffit Transition Detail	8/4/2020	00	
RR-PLY-10	Soffit Vent Requirements	8/4/2020	00	



PARTIAL SYSTEM ELEVATION
(PANELS NOT SHOWN)

- ① 5/8" (MIN) STRUCTURAL SHEATHING (PLYWOOD OR OSB) W/ AIR AND WATER BARRIER (AWB); TYPE OF AWB TO BE SELECTED BY DESIGN PROFESSIONAL OF RECORD
- FIRE-RETARDANT-TREATED WOOD (FRTW) STRUCTURAL SHEATHING REQUIRED FOR NFPA 285 COMPLIANCE (TYPE III CONSTRUCTION ONLY)
- ② PANEL STIFFENERS (7/8" HAT CHANNELS, 18 GA. MIN)
- MAINTAIN 3" GAPS BETWEEN ENDS OF PANEL STIFFENERS AND PANEL EDGES FOR DRAINAGE
 - PANEL STIFFENERS MAY BE ORIENTED HORIZONTALLY OR VERTICALLY
 - ATTACH STIFFENERS USING (2) #8 X 1" (MIN) SELF-DRILLING SCREWS AT 16" O.C. ALONG HAT CHANNEL FLANGES (REFER TO DETAIL RR-PLY-ST)
 - REQUIRED PANEL STIFFENER SPACING TO BE BASED ON PROJECT SPECIFIC WIND LOADS:
 - UP TO 40 PSF (ASD): STIFFENERS REQUIRED AT 24" O.C.
 - GREATER THAN 40 PSF (ASD), UP TO 60 PSF (ASD): STIFFENERS REQUIRED AT 16" O.C.
- ③ 1/4" (MIN) TO 3/8" (MAX) BEAD OF LAMINATORS APPROVED PANEL ADHESIVE APPLIED TO PANEL STIFFENERS (REFER TO DETAIL RR-PLY-ST); LENGTH AND SPACING OF ADHESIVE BEADS TO BE BASED ON PROJECT SPECIFIC WIND LOADS:
- UP TO 60 PSF (ASD): 8" ADHESIVE LENGTHS AT 16" O.C.

IMPORTANT NOTICE

PROJECT-SPECIFIC COMPONENTS AND CLADDING WIND LOADS (REQUIRED STRENGTH, R_a) SHALL NOT EXCEED AVAILABLE LOAD-CARRYING CAPACITY OF SYSTEM (ALLOWABLE STRENGTH, R_n/Ω)

- PROJECT-SPECIFIC COMPONENTS AND CLADDING WIND LOADS ARE TO BE DETERMINED BY THE DESIGN PROFESSIONAL OF RECORD
- AVAILABLE LOAD-CARRYING CAPACITY OF SYSTEM (UP TO 60 PSF) IS BASED ON ALLOWABLE STRENGTH DESIGN (ASD) METHOD
- FOR PROJECT-SPECIFIC COMPONENTS AND CLADDING WIND LOADS GREATER THAN 60 PSF, CONTACT LAMINATORS TECHNICAL SUPPORT FOR PROJECT-SPECIFIC DETAILING REQUIREMENTS



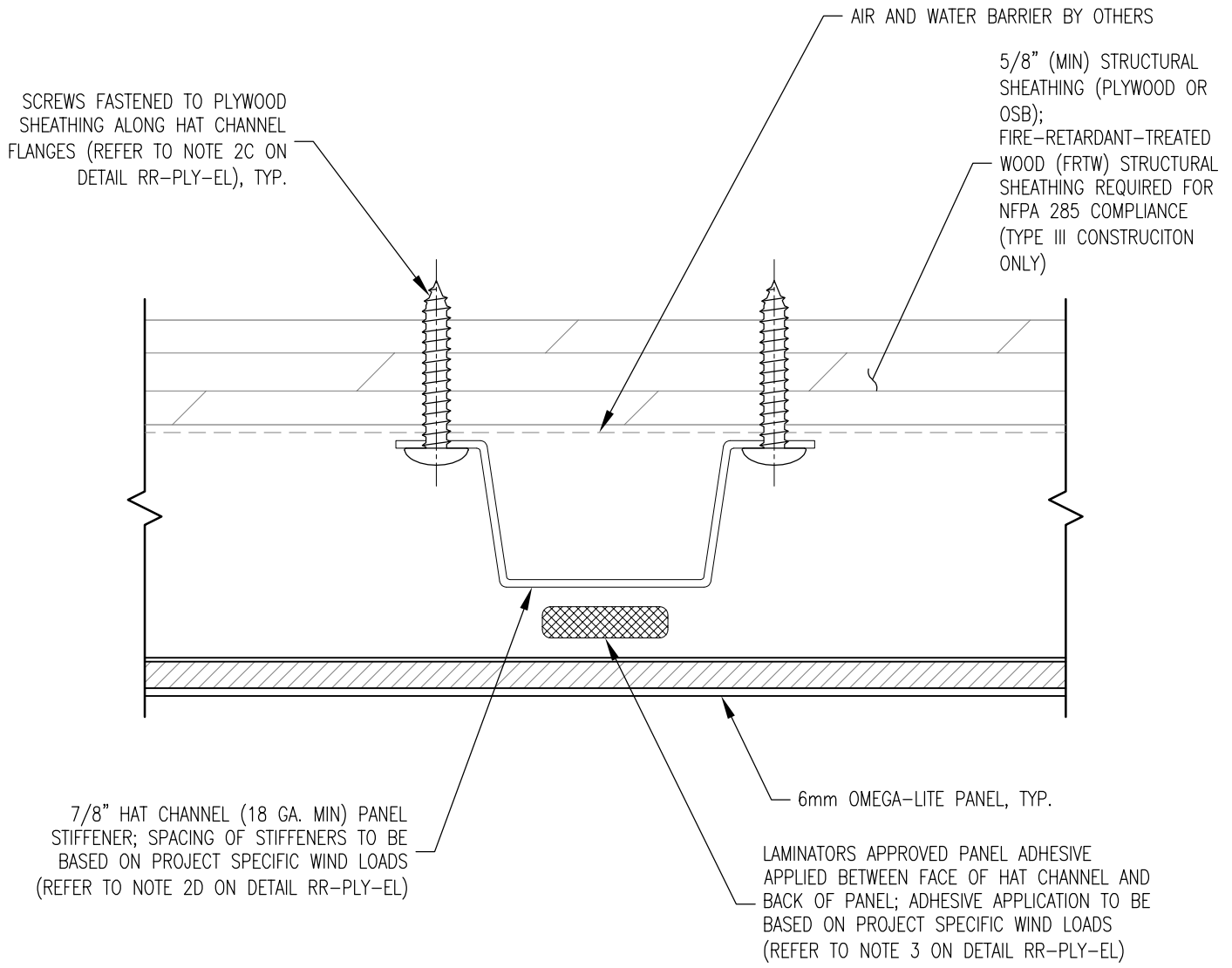
www.LaminatorsInc.com

877.OMEGA.77

PARTIAL SYSTEM ELEVATION

**ROUT & RETURN INSTALLATION SYSTEM
OVER PLYWOOD OR OSB (STRUCTURAL) SHEATHING**

Date: 12/3/2020	Drawn By: JJM	Dwg. No.: RR-PLY-EL	Rev: 01
--------------------	------------------	------------------------	------------



PLAN SECTION

DETAIL NOTES:

1. SPACING SHOWN BETWEEN SOME INSTALLATION SYSTEM COMPONENTS EXAGGERATED FOR CLARITY
2. PANEL STIFFENERS TO BE FASTENED TO SUBSTRATE PRIOR TO PANEL INSTALLATION; REFER TO DETAIL RR-PLY-EL FOR ADDITIONAL INFORMATION
3. FULL CONTACT OF PANEL ADHESIVE WITH BACK OF PANEL REQUIRED AT ALL APPLICATION LOCATIONS



www.LaminatorsInc.com

877.OMEGA.77

TYPICAL PANEL STIFFENER DETAIL

**ROUT & RETURN INSTALLATION SYSTEM
OVER PLYWOOD OR OSB (STRUCTURAL) SHEATHING**

Date:
8/4/2020

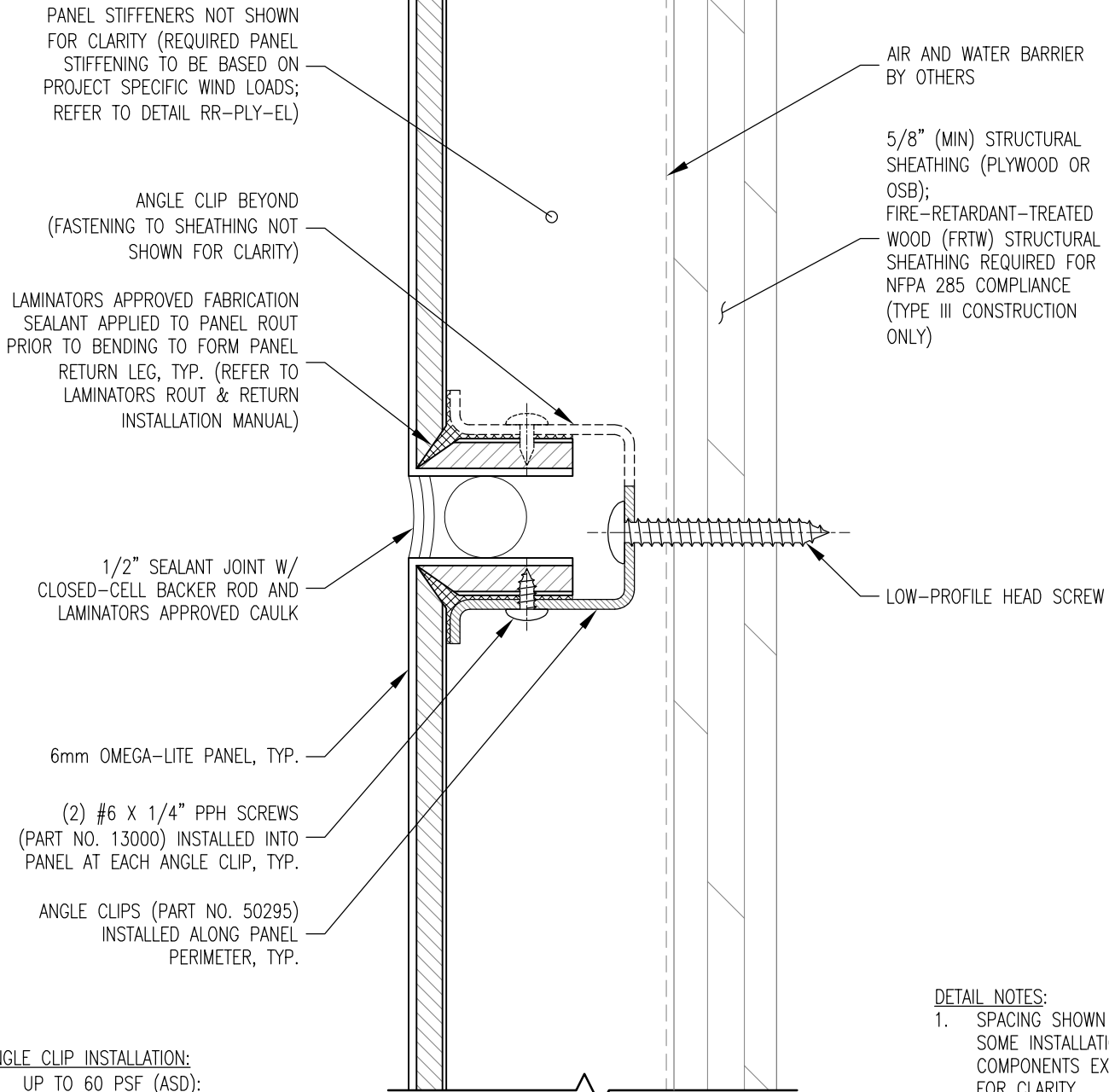
Drawn By:
JJM

Dwg. No.:
RR-PLY-ST

Rev:
00

ROUT & RETURN INSTALLATION SYSTEM
(1-3/8" NOM. DEPTH)

NOTE: THIS DETAIL IS APPLICABLE TO ALL JOINTS EXCLUDING HORIZONTAL JOINTS WITHIN THE NFPA 285 ZONE



PANEL STIFFENERS NOT SHOWN FOR CLARITY (REQUIRED PANEL STIFFENING TO BE BASED ON PROJECT SPECIFIC WIND LOADS; REFER TO DETAIL RR-PLY-EL)

ANGLE CLIP BEYOND (FASTENING TO SHEATHING NOT SHOWN FOR CLARITY)

LAMINATORS APPROVED FABRICATION SEALANT APPLIED TO PANEL ROUT PRIOR TO BENDING TO FORM PANEL RETURN LEG, TYP. (REFER TO LAMINATORS ROUT & RETURN INSTALLATION MANUAL)

AIR AND WATER BARRIER BY OTHERS

5/8" (MIN) STRUCTURAL SHEATHING (PLYWOOD OR OSB); FIRE-RETARDANT-TREATED WOOD (FRTW) STRUCTURAL SHEATHING REQUIRED FOR NFPA 285 COMPLIANCE (TYPE III CONSTRUCTION ONLY)

1/2" SEALANT JOINT W/ CLOSED-CELL BACKER ROD AND LAMINATORS APPROVED CAULK

LOW-PROFILE HEAD SCREW

6mm OMEGA-LITE PANEL, TYP.

(2) #6 X 1/4" PPH SCREWS (PART NO. 13000) INSTALLED INTO PANEL AT EACH ANGLE CLIP, TYP.

ANGLE CLIPS (PART NO. 50295) INSTALLED ALONG PANEL PERIMETER, TYP.

ANGLE CLIP INSTALLATION:

- UP TO 60 PSF (ASD):
INSTALL CLIPS AT 12" O.C. WITH (2) #8 X 1" (MIN) PPH SELF-DRILLING SCREWS PER CLIP INTO STRUCTURAL SHEATHING

DETAIL NOTES:

- SPACING SHOWN BETWEEN SOME INSTALLATION SYSTEM COMPONENTS EXAGGERATED FOR CLARITY
- REFER TO DETAILS RR-PLY-EL AND RR-PLY-ST FOR REQUIRED PANEL STIFFENER LAYOUT

SECTION



www.LaminatorsInc.com

877.OMEGA.77

JOINT DETAIL

ROUT & RETURN INSTALLATION SYSTEM
OVER PLYWOOD OR OSB (STRUCTURAL) SHEATHING

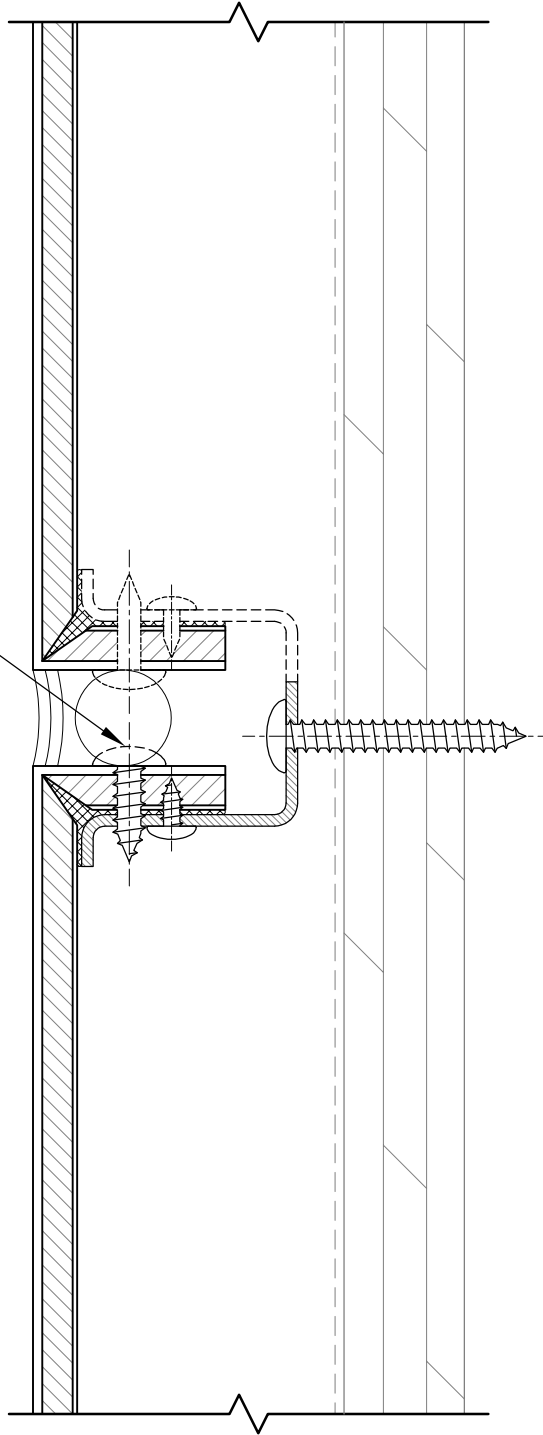
Date:
12/3/2020

Drawn By:
JJM

Dwg. No.:
RR-PLY-01

Rev:
01

(1) #8 x 3/4" (MIN) PPH
 SELF-DRILLING SCREW INSTALLED
 THROUGH PANEL FACE INTO ANGLE
 CLIP, TYP; LOCATE SCREW AT
 CENTERLINE OF PANEL RETURN LEG
 AND ANGLE CLIP LENGTH



SECTION

DETAIL NOTES:

1. SPACING SHOWN BETWEEN SOME INSTALLATION SYSTEM COMPONENTS EXAGGERATED FOR CLARITY
2. REFER TO DETAILS RR-PLY-EL AND RR-PLY-ST FOR REQUIRED PANEL STIFFENER LAYOUT
3. REFER TO JOINT DETAIL RR-PLY-01 FOR CLIP SPACING AND TYPICAL COMPONENTS NOT ANNOTATED



www.LaminatorsInc.com

877.OMEGA.77

HORIZONTAL JOINT DETAIL (NFPA 285 ZONE)

ROUT & RETURN INSTALLATION SYSTEM
 OVER PLYWOOD OR OSB (STRUCTURAL) SHEATHING

Date:
12/3/2020

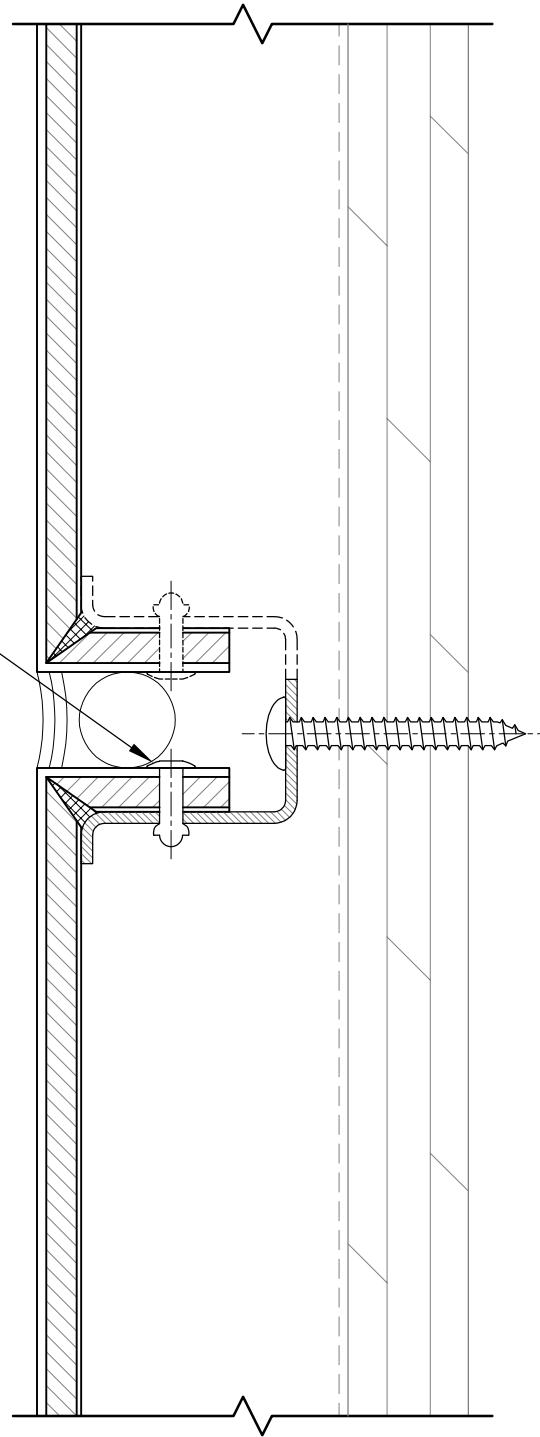
Drawn By:
JJM

Dwg. No.:
RR-PLY-01A

Rev:
01

NOTE: THIS DETAIL IS APPLICABLE TO ALL JOINTS INCLUDING THOSE WITHIN THE NFPA 285 ZONE

(2) 1/8" DIA. ALUMINUM BUTTONHEAD BLIND RIVETS INSTALLED THRU PANEL AT EACH ANGLE CLIP, TYP.



SECTION

DETAIL NOTES:

1. SPACING SHOWN BETWEEN SOME INSTALLATION SYSTEM COMPONENTS EXAGGERATED FOR CLARITY
2. REFER TO DETAILS RR-PLY-EL AND RR-PLY-ST FOR REQUIRED PANEL STIFFENER LAYOUT
3. REFER TO JOINT DETAIL RR-PLY-01 FOR CLIP SPACING AND TYPICAL COMPONENTS NOT ANNOTATED



www.LaminatorsInc.com

877.OMEGA.77

JOINT DETAIL (RIVET OPTION)

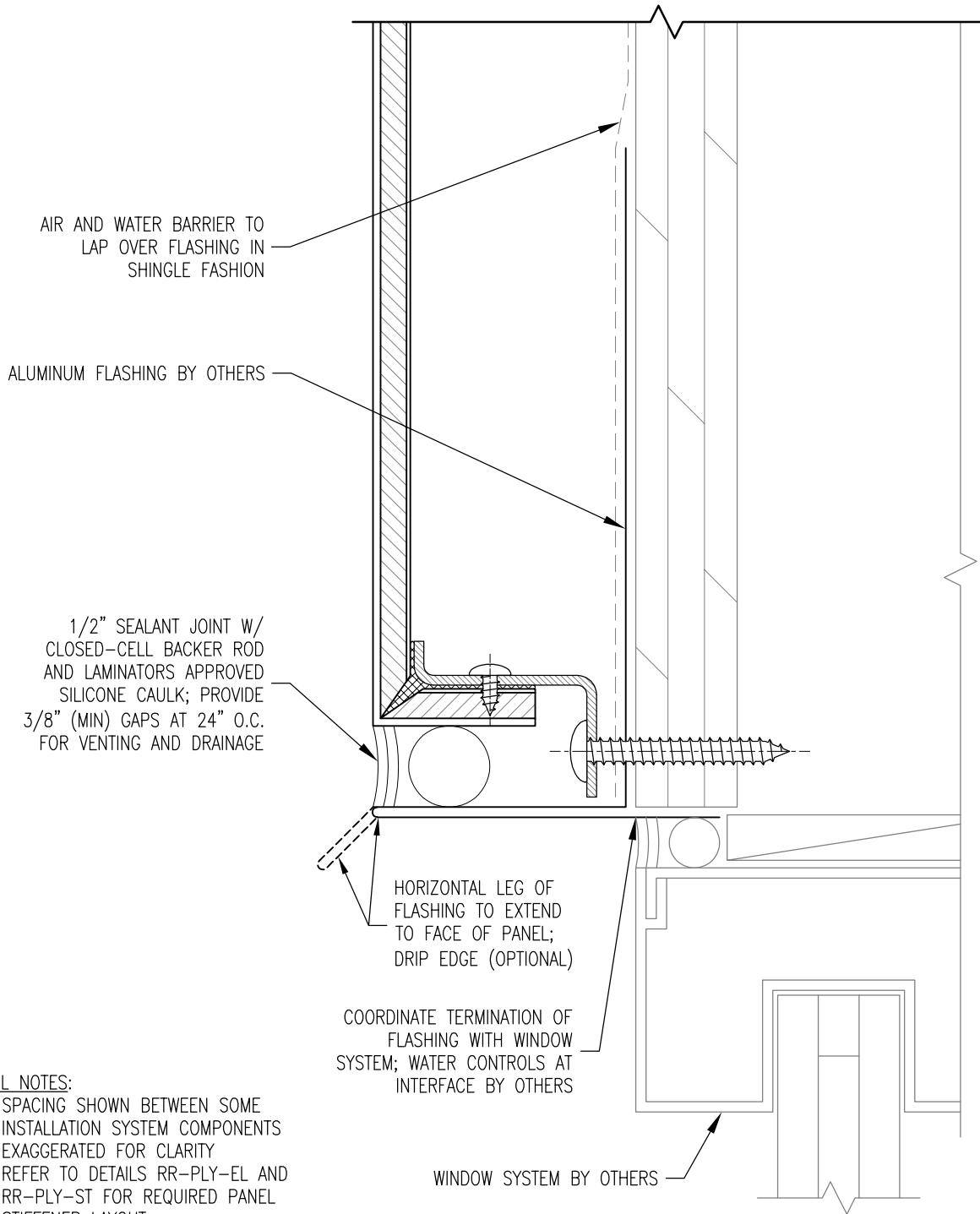
ROUT & RETURN INSTALLATION SYSTEM OVER PLYWOOD OR OSB (STRUCTURAL) SHEATHING

Date:
8/4/2020

Drawn By:
JJM

Dwg. No.:
RR-PLY-01B

Rev:
00



AIR AND WATER BARRIER TO
LAP OVER FLASHING IN
SHINGLE FASHION

ALUMINUM FLASHING BY OTHERS

1/2" SEALANT JOINT W/
CLOSED-CELL BACKER ROD
AND LAMINATORS APPROVED
SILICONE CAULK; PROVIDE
3/8" (MIN) GAPS AT 24" O.C.
FOR VENTING AND DRAINAGE

HORIZONTAL LEG OF
FLASHING TO EXTEND
TO FACE OF PANEL;
DRIP EDGE (OPTIONAL)

COORDINATE TERMINATION OF
FLASHING WITH WINDOW
SYSTEM; WATER CONTROLS AT
INTERFACE BY OTHERS

WINDOW SYSTEM BY OTHERS

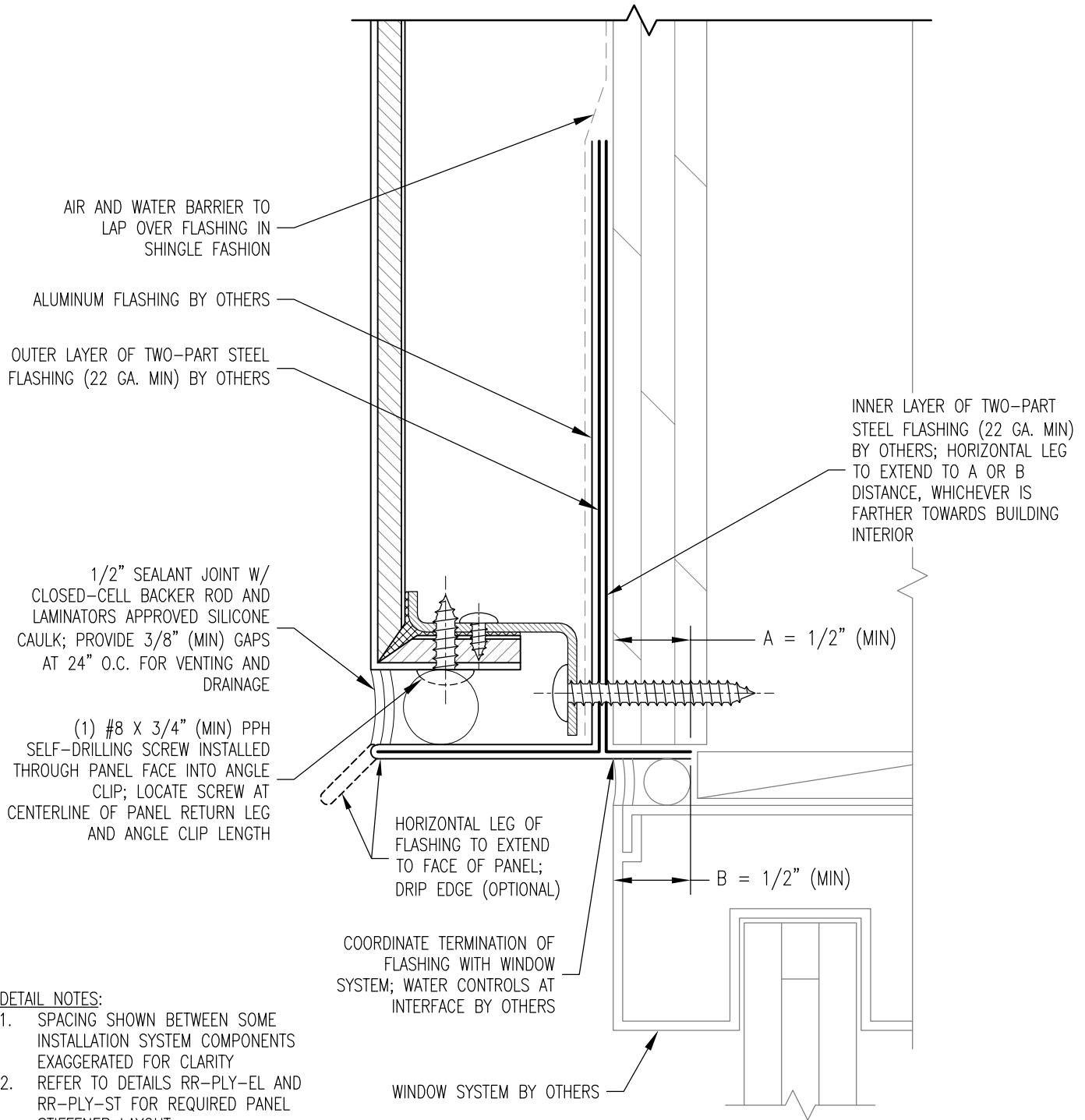
DETAIL NOTES:

1. SPACING SHOWN BETWEEN SOME INSTALLATION SYSTEM COMPONENTS EXAGGERATED FOR CLARITY
2. REFER TO DETAILS RR-PLY-EL AND RR-PLY-ST FOR REQUIRED PANEL STIFFENER LAYOUT
3. REFER TO JOINT DETAIL RR-PLY-01 FOR CLIP SPACING AND TYPICAL COMPONENTS NOT ANNOTATED

SECTION

OMEGA PANEL PRODUCTS Ω
LAMINATORS INC.
www.LaminatorsInc.com 877.OMEGA.77

WINDOW HEAD DETAIL			
ROUT & RETURN INSTALLATION SYSTEM OVER PLYWOOD OR OSB (STRUCTURAL) SHEATHING			
Date: 8/4/2020	Drawn By: JJM	Dwg. No.: RR-PLY-02	Rev: 00



DETAIL NOTES:

1. SPACING SHOWN BETWEEN SOME INSTALLATION SYSTEM COMPONENTS EXAGGERATED FOR CLARITY
2. REFER TO DETAILS RR-PLY-EL AND RR-PLY-ST FOR REQUIRED PANEL STIFFENER LAYOUT
3. REFER TO JOINT DETAIL RR-PLY-01 FOR CLIP SPACING AND TYPICAL COMPONENTS NOT ANNOTATED

SECTION



www.LaminatorsInc.com

877.OMEGA.77

WINDOW HEAD DETAIL (NFPA 285 ZONE)

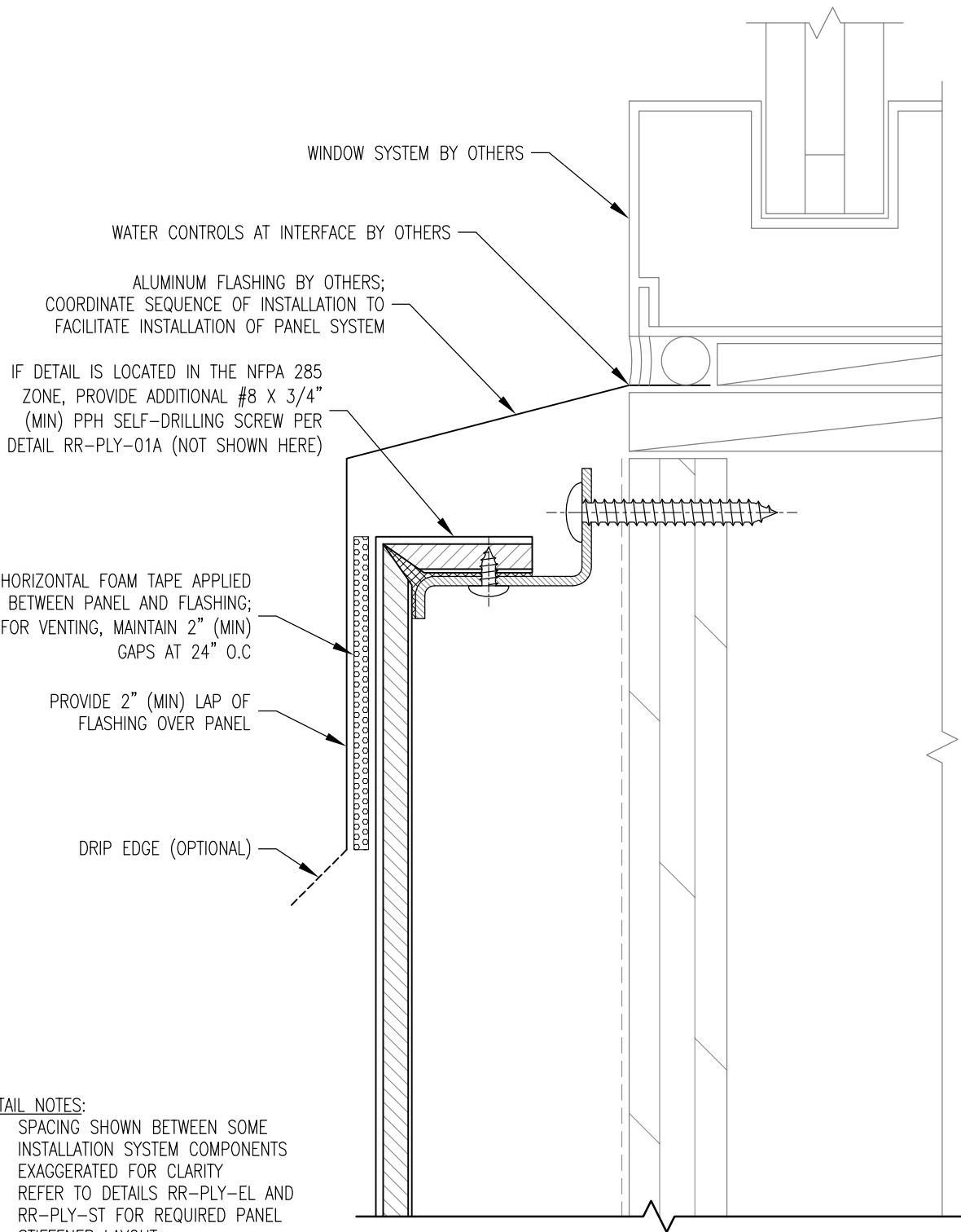
ROUT & RETURN INSTALLATION SYSTEM
OVER PLYWOOD OR OSB (STRUCTURAL) SHEATHING

Date:
12/3/2020

Drawn By:
JJM

Dwg. No.:
RR-PLY-02A

Rev:
01



IF DETAIL IS LOCATED IN THE NFPA 285 ZONE, PROVIDE ADDITIONAL #8 X 3/4" (MIN) PPH SELF-DRILLING SCREW PER DETAIL RR-PLY-01A (NOT SHOWN HERE)

HORIZONTAL FOAM TAPE APPLIED BETWEEN PANEL AND FLASHING; FOR VENTING, MAINTAIN 2" (MIN) GAPS AT 24" O.C

PROVIDE 2" (MIN) LAP OF FLASHING OVER PANEL

DRIP EDGE (OPTIONAL)

DETAIL NOTES:

1. SPACING SHOWN BETWEEN SOME INSTALLATION SYSTEM COMPONENTS EXAGGERATED FOR CLARITY
2. REFER TO DETAILS RR-PLY-EL AND RR-PLY-ST FOR REQUIRED PANEL STIFFENER LAYOUT
3. REFER TO JOINT DETAIL RR-PLY-01 FOR CLIP SPACING AND TYPICAL COMPONENTS NOT ANNOTATED

SECTION

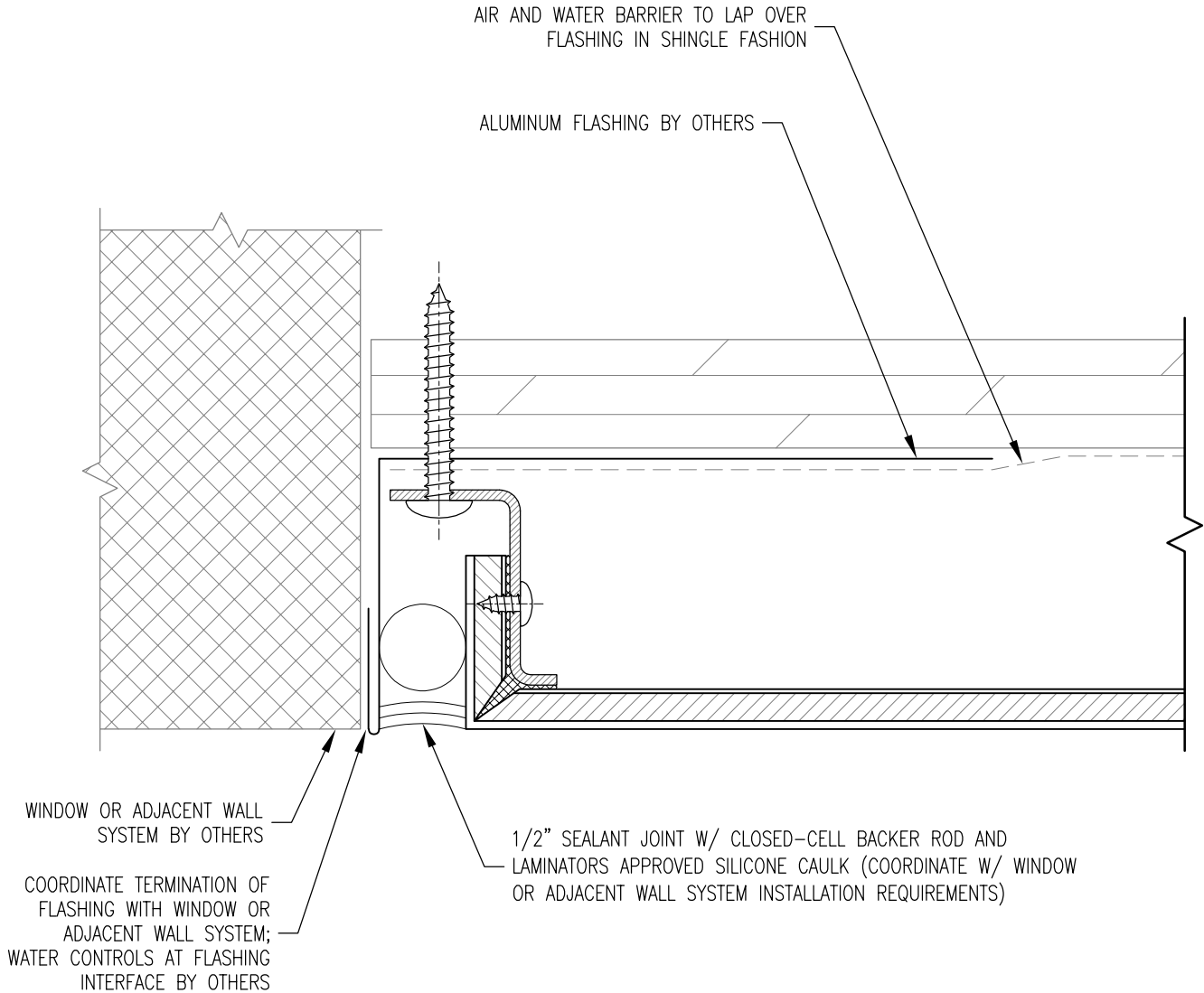


www.LaminatorsInc.com

877.OMEGA.77

TYPICAL SILL DETAIL
ROUT & RETURN INSTALLATION SYSTEM
OVER PLYWOOD OR OSB (STRUCTURAL) SHEATHING

Date: 8/4/2020	Drawn By: JJM	Dwg. No.: RR-PLY-03	Rev: 00
-------------------	------------------	------------------------	------------



PLAN SECTION

DETAIL NOTES:

1. SPACING SHOWN BETWEEN SOME INSTALLATION SYSTEM COMPONENTS EXAGGERATED FOR CLARITY
2. REFER TO DETAILS RR-PLY-EL AND RR-PLY-ST FOR REQUIRED PANEL STIFFENER LAYOUT
3. REFER TO JOINT DETAIL RR-PLY-01 FOR CLIP SPACING AND TYPICAL COMPONENTS NOT ANNOTATED



www.LaminatorsInc.com

877.OMEGA.77

WINDOW JAMB / VERTICAL EDGE DETAIL

ROUT & RETURN INSTALLATION SYSTEM
OVER PLYWOOD OR OSB (STRUCTURAL) SHEATHING

Date:
8/4/2020

Drawn By:
JJM

Dwg. No.:
RR-PLY-04

Rev:
00

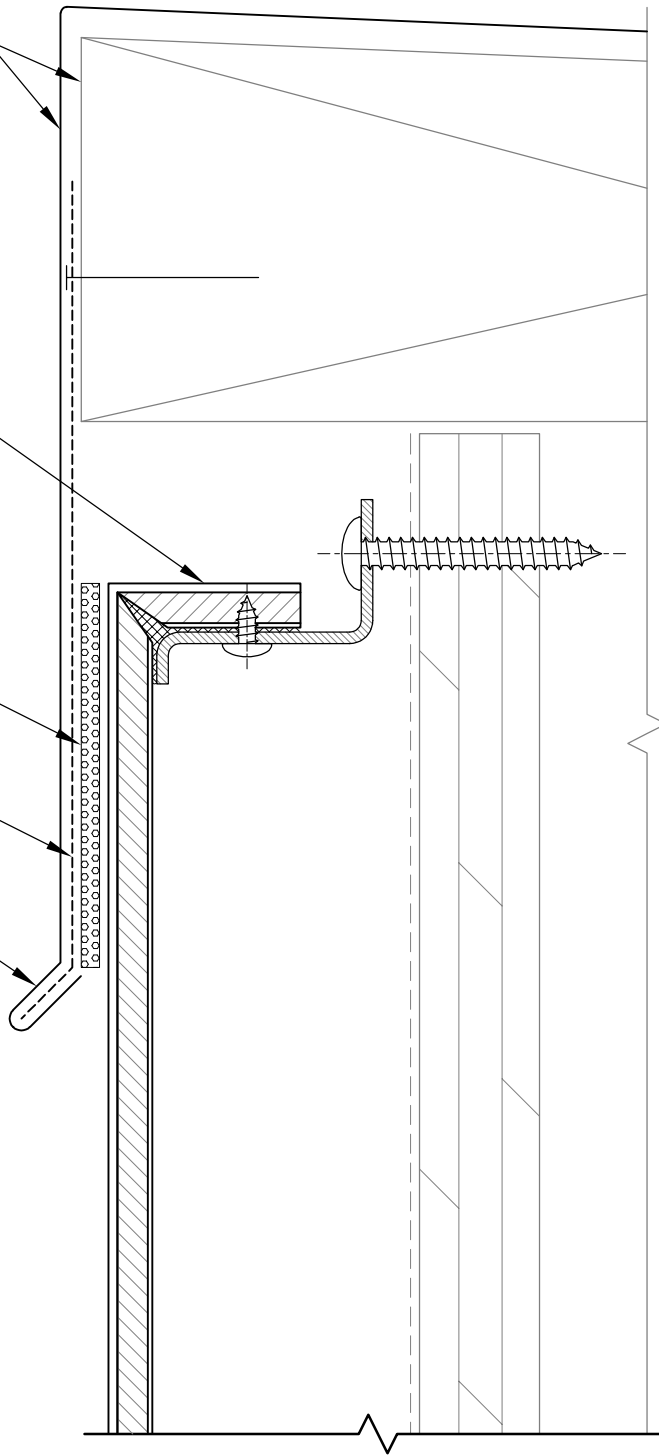
METAL COPING AND BLOCKING
BY OTHERS; COORDINATE
SEQUENCING TO FACILITATE
PANEL SYSTEM INSTALLATION

IF DETAIL IS LOCATED IN THE
NFPA 285 ZONE, PROVIDE
ADDITIONAL #8 X 3/4" (MIN)
PPH SELF-DRILLING SCREW
PER DETAIL RR-PLY-01A
(NOT SHOWN HERE)

HORIZONTAL FOAM TAPE APPLIED
BETWEEN PANEL AND COPING; FOR
VENTING, MAINTAIN 2" MIN GAPS
AT 24" O.C

PROVIDE 2" MIN LAP OF
COPING OVER PANEL

DRIP EDGE (OPTIONAL)



SECTION

DETAIL NOTES:

1. SPACING SHOWN BETWEEN SOME INSTALLATION SYSTEM COMPONENTS EXAGGERATED FOR CLARITY
2. REFER TO DETAILS RR-PLY-EL AND RR-PLY-ST FOR REQUIRED PANEL STIFFENER LAYOUT
3. REFER TO JOINT DETAIL RR-PLY-01 FOR CLIP SPACING AND TYPICAL COMPONENTS NOT ANNOTATED



www.LaminatorsInc.com

877.OMEGA.77

TOP OF WALL DETAIL

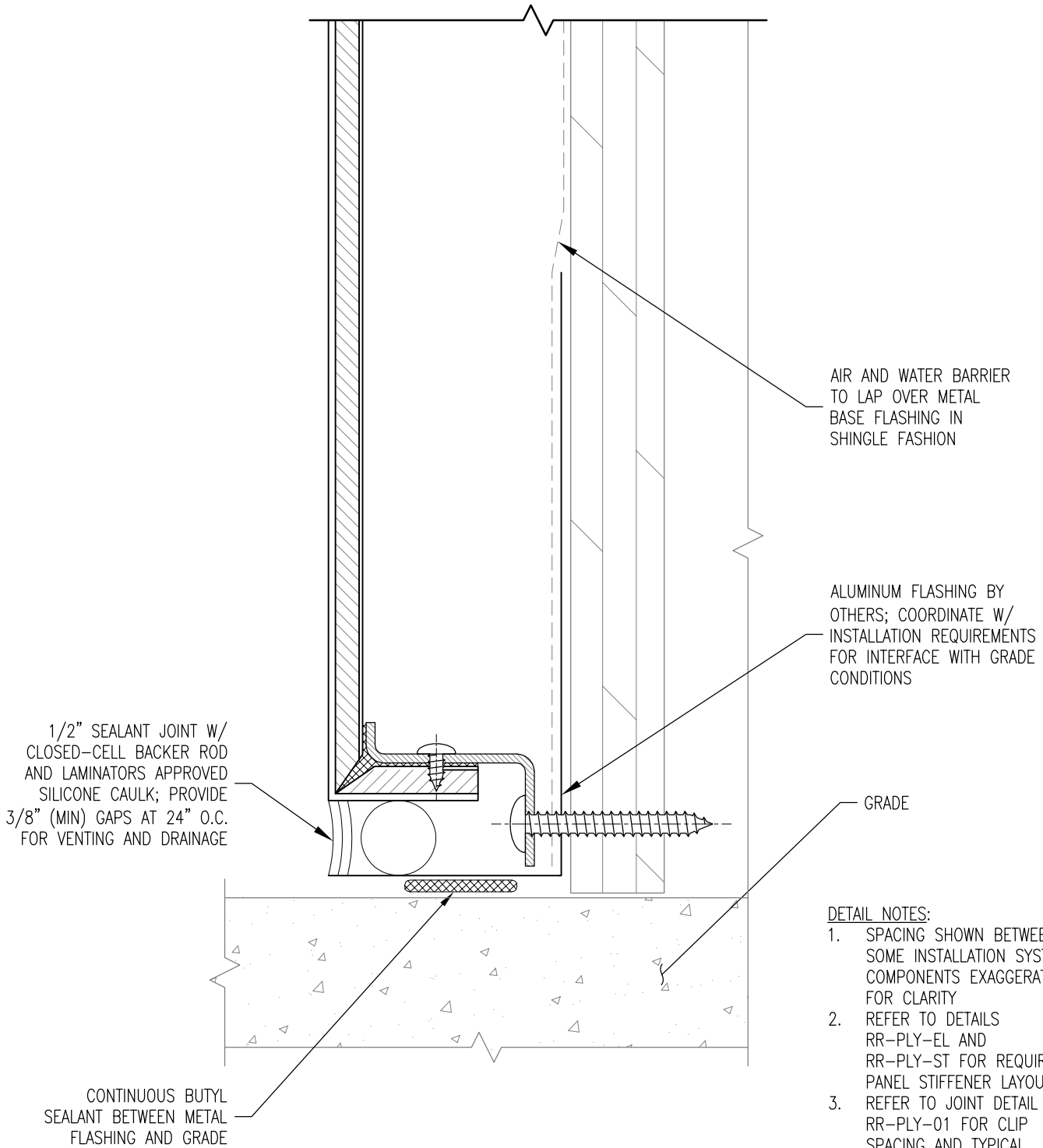
ROUT & RETURN INSTALLATION SYSTEM
OVER PLYWOOD OR OSB (STRUCTURAL) SHEATHING

Date:
8/4/2020

Drawn By:
JJM

Dwg. No.:
RR-PLY-05

Rev:
00



SECTION

AIR AND WATER BARRIER TO LAP OVER METAL BASE FLASHING IN SHINGLE FASHION

ALUMINUM FLASHING BY OTHERS; COORDINATE W/ INSTALLATION REQUIREMENTS FOR INTERFACE WITH GRADE CONDITIONS

1/2" SEALANT JOINT W/ CLOSED-CELL BACKER ROD AND LAMINATORS APPROVED SILICONE CAULK; PROVIDE 3/8" (MIN) GAPS AT 24" O.C. FOR VENTING AND DRAINAGE

GRADE

CONTINUOUS BUTYL SEALANT BETWEEN METAL FLASHING AND GRADE

- DETAIL NOTES:**
1. SPACING SHOWN BETWEEN SOME INSTALLATION SYSTEM COMPONENTS EXAGGERATED FOR CLARITY
 2. REFER TO DETAILS RR-PLY-EL AND RR-PLY-ST FOR REQUIRED PANEL STIFFENER LAYOUT
 3. REFER TO JOINT DETAIL RR-PLY-01 FOR CLIP SPACING AND TYPICAL COMPONENTS NOT ANNOTATED



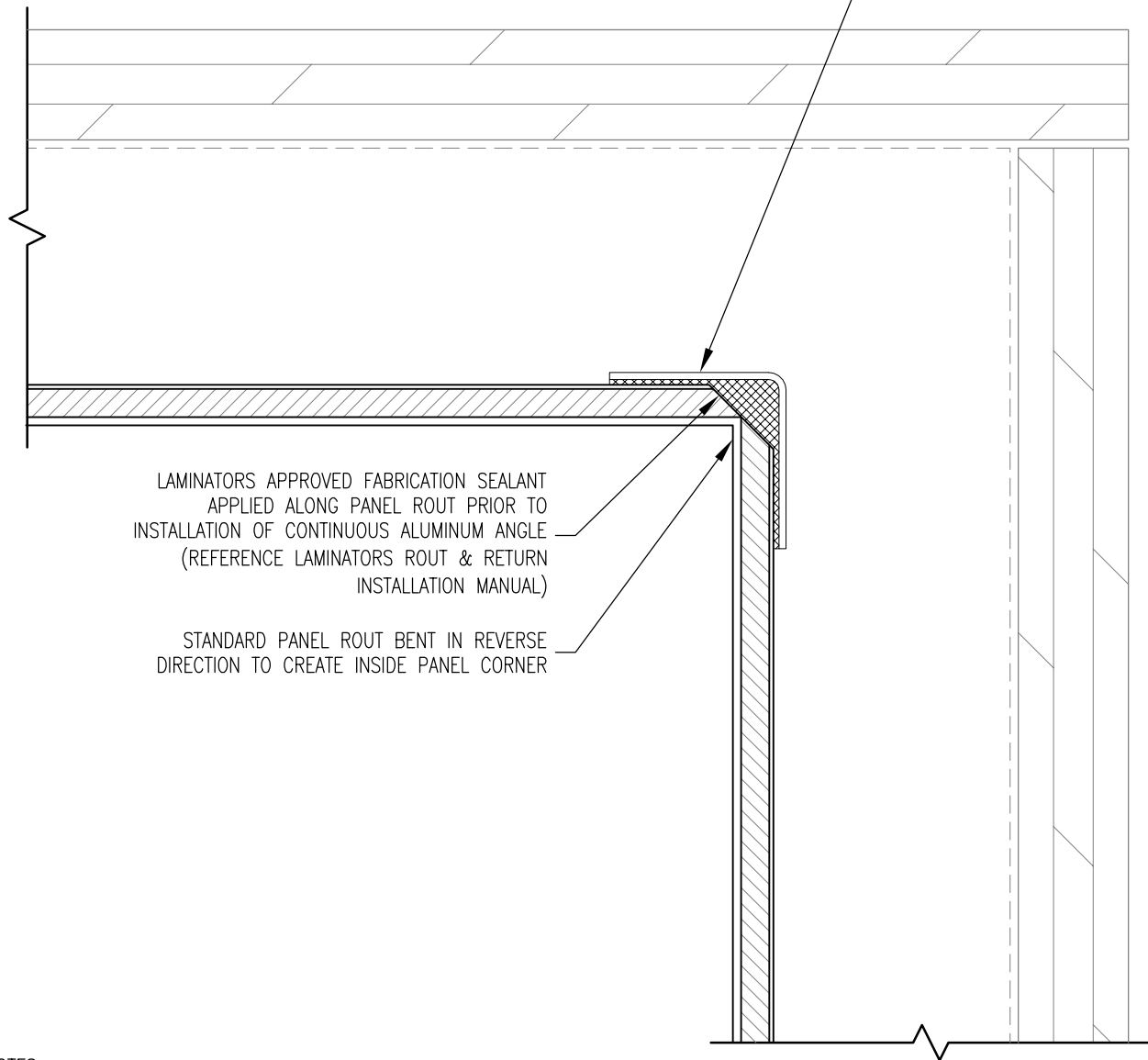
www.LaminatorsInc.com

877.OMEGA.77

BASE OF WALL (GRADE) DETAIL
ROUT & RETURN INSTALLATION SYSTEM
OVER PLYWOOD OR OSB (STRUCTURAL) SHEATHING

Date: 8/4/2020	Drawn By: JJM	Dwg. No.: RR-PLY-06	Rev: 00
-------------------	------------------	------------------------	------------

CONTINUOUS 1" X 1" X 0.060"
ALUMINUM ANGLE (PART NO.
44DS-ANGLE) INSTALLED ALONG
LENGTH OF INSIDE PANEL CORNER;
ANGLE TO BE SET IN FULL BED OF
TOOLED FABRICATION SEALANT



LAMINATORS APPROVED FABRICATION SEALANT
APPLIED ALONG PANEL ROUT PRIOR TO
INSTALLATION OF CONTINUOUS ALUMINUM ANGLE
(REFERENCE LAMINATORS ROUT & RETURN
INSTALLATION MANUAL)

STANDARD PANEL ROUT BENT IN REVERSE
DIRECTION TO CREATE INSIDE PANEL CORNER

DETAIL NOTES:

1. SPACING SHOWN BETWEEN SOME
INSTALLATION SYSTEM COMPONENTS
EXAGGERATED FOR CLARITY
2. REFER TO DETAILS RR-PLY-EL AND
RR-PLY-ST FOR REQUIRED PANEL
STIFFENER LAYOUT
3. REFER TO JOINT DETAIL RR-PLY-01
FOR CLIP SPACING AND TYPICAL
COMPONENTS NOT ANNOTATED

PLAN SECTION

NOTE: THIS DETAIL IS ALSO
APPLICABLE FOR
SOFFIT-TO-WALL TRANSITIONS



www.LaminatorsInc.com

877.OMEGA.77

INSIDE CORNER DETAIL

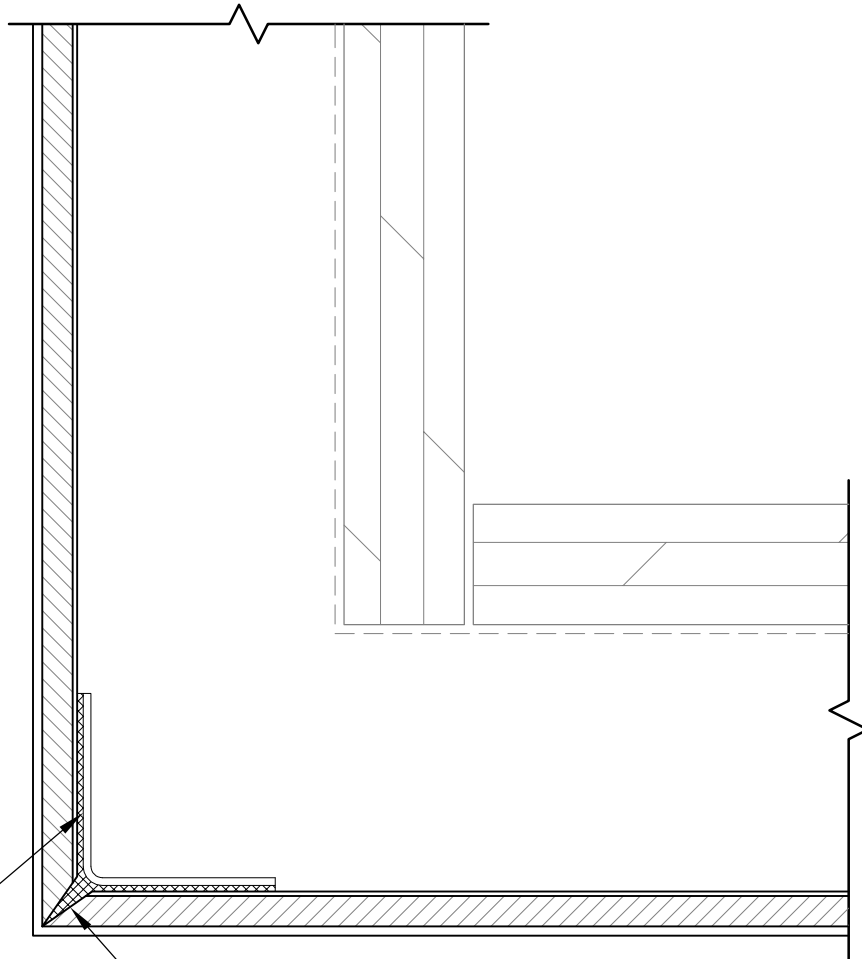
ROUT & RETURN INSTALLATION SYSTEM
OVER PLYWOOD OR OSB (STRUCTURAL) SHEATHING

Date:
8/4/2020

Drawn By:
JJM

Dwg. No.:
RR-PLY-07

Rev:
00



CONTINUOUS 1" X 1" X 0.060" ALUMINUM ANGLE (PART NO. 44DS-ANGLE) INSTALLED ALONG LENGTH OF OUTSIDE PANEL CORNER; ANGLE TO BE SET IN FULL BED OF FABRICATION SEALANT

LAMINATORS APPROVED FABRICATION SEALANT APPLIED TO PANEL ROUT PRIOR TO BENDING TO FORM PANEL CORNER, TYP. (REFERENCE LAMINATORS ROUT & RETURN INSTALLATION MANUAL)

PLAN SECTION

DETAIL NOTES:

1. SPACING SHOWN BETWEEN SOME INSTALLATION SYSTEM COMPONENTS EXAGGERATED FOR CLARITY
2. REFER TO DETAILS RR-PLY-EL AND RR-PLY-ST FOR REQUIRED PANEL STIFFENER LAYOUT
3. REFER TO JOINT DETAIL RR-PLY-01 FOR CLIP SPACING AND TYPICAL COMPONENTS NOT ANNOTATED

NOTE: REFER TO DETAIL RR-PLY-09 FOR FASCIA-TO-SOFFIT TRANSITIONS



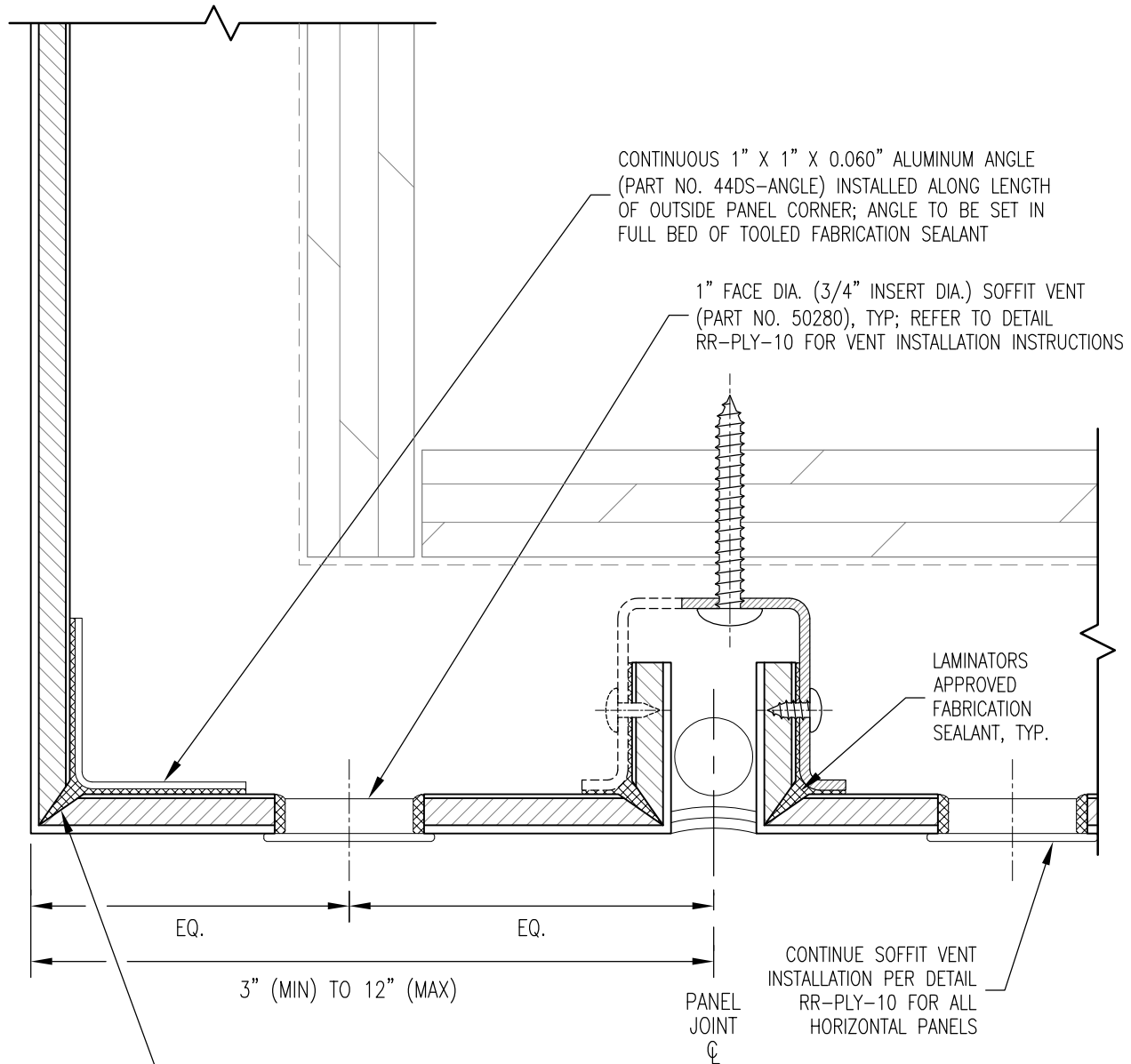
www.LaminatorsInc.com

877.OMEGA.77

OUTSIDE CORNER DETAIL

ROUT & RETURN INSTALLATION SYSTEM OVER PLYWOOD OR OSB (STRUCTURAL) SHEATHING

Date: 8/4/2020	Drawn By: JJM	Dwg. No.: RR-PLY-08	Rev: 00
-------------------	------------------	------------------------	------------



LAMINATORS APPROVED FABRICATION SEALANT APPLIED TO PANEL ROUT PRIOR TO BENDING TO FORM PANEL CORNER, TYP. (REFERENCE LAMINATORS ROUT & RETURN INSTALLATION MANUAL)

SECTION

DETAIL NOTES:

1. SPACING SHOWN BETWEEN SOME INSTALLATION SYSTEM COMPONENTS EXAGGERATED FOR CLARITY
2. REFER TO DETAILS RR-PLY-EL AND RR-PLY-ST FOR REQUIRED PANEL STIFFENER LAYOUT
3. REFER TO JOINT DETAIL RR-PLY-01 FOR CLIP SPACING AND TYPICAL COMPONENTS NOT ANNOTATED



www.LaminatorsInc.com

877.OMEGA.77

FASCIA-TO-SOFFIT TRANSITION DETAIL

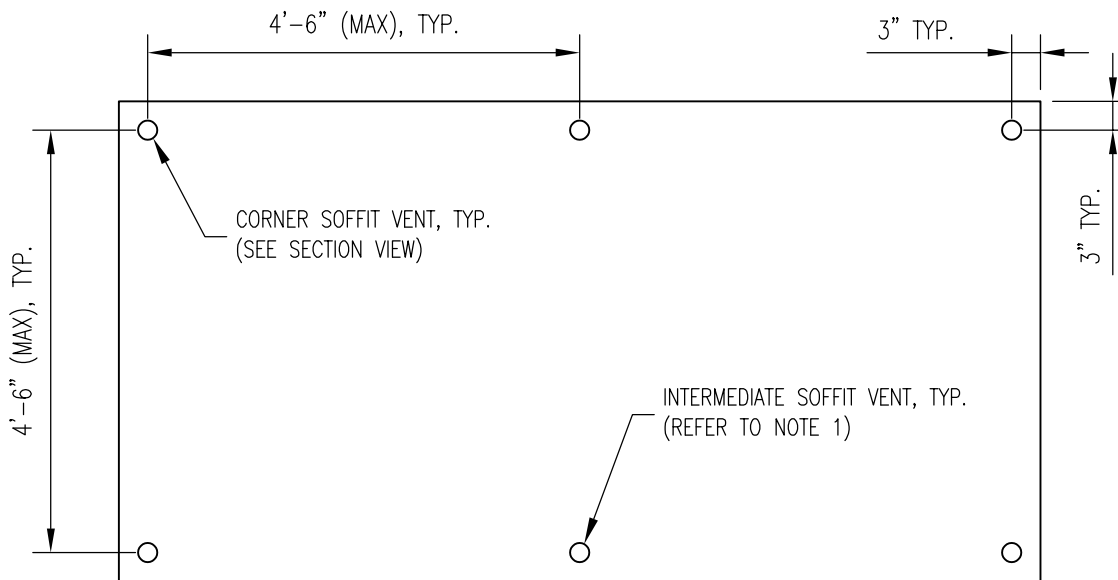
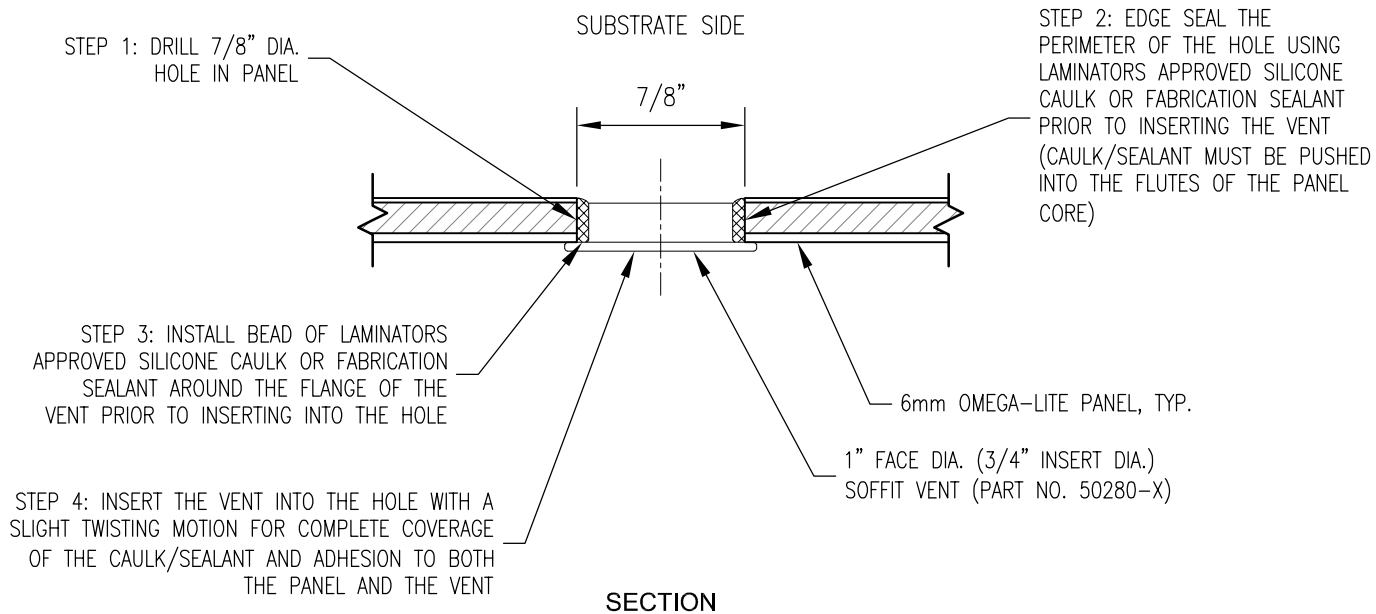
ROUT & RETURN INSTALLATION SYSTEM OVER PLYWOOD OR OSB (STRUCTURAL) SHEATHING

Date:
8/4/2020

Drawn By:
JJM

Dwg. No.:
RR-PLY-09

Rev:
00



DETAIL NOTES:

1. FOR PANEL EDGE DIMENSIONS LARGER THAN 5'-0", INTERMEDIATE VENTS SHALL BE INSTALLED WITH EQUAL SPACING
2. FOR PANEL EDGE DIMENSIONS 12" AND SMALLER, A SINGLE ROW OF VENTS MAY BE INSTALLED ALONG THE CENTERLINE OF THE PANEL IN THE LONGER DIRECTION (IN PLACE OF TWO ROWS AS SHOWN ABOVE)
3. CONTACT LAMINATORS TECHNICAL SUPPORT FOR ADDITIONAL INFORMATION ON REQUIRED SOFFIT VENT INSTALLATION FOR UNIQUE PROJECT-SPECIFIC PANEL GEOMETRIES



www.LaminatorsInc.com

877.OMEGA.77

SOFFIT VENT REQUIREMENTS

**ROUT & RETURN INSTALLATION SYSTEM
OVER PLYWOOD OR OSB (STRUCTURAL) SHEATHING**

Date: 8/4/2020	Drawn By: JJM	Dwg. No.: RR-PLY-10	Rev: 00
-------------------	------------------	------------------------	------------