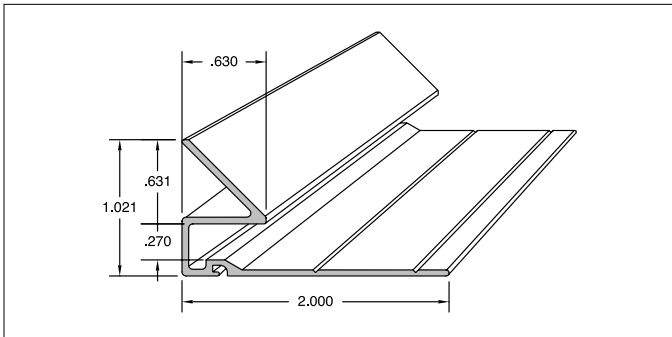
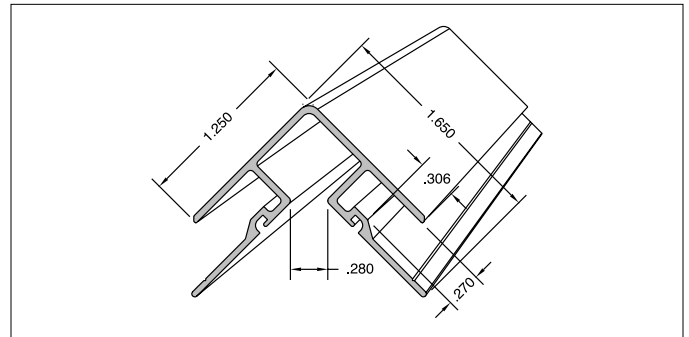


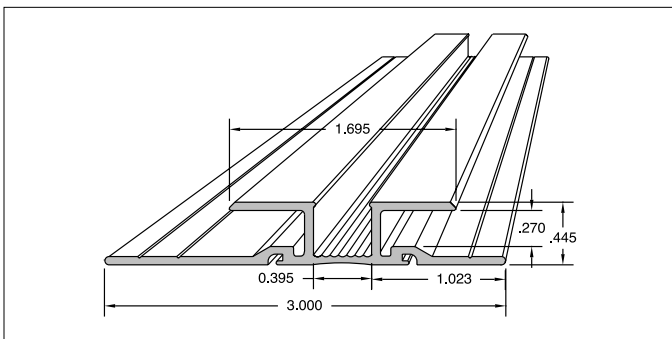
1-PIECE, TIGHT-FIT MOLDING DIMENSIONS — OMEGA-LITE® PANELS



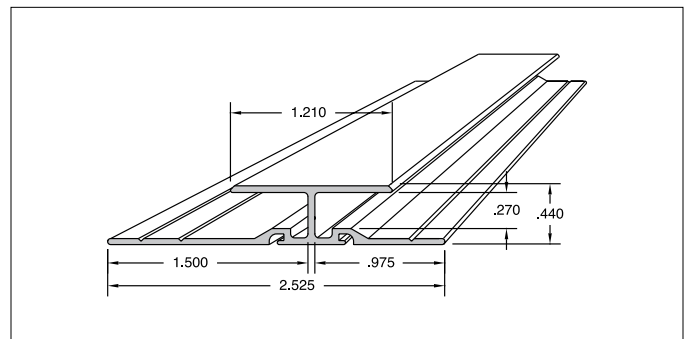
Item 4525X: Inside Corner (Drip Cap)



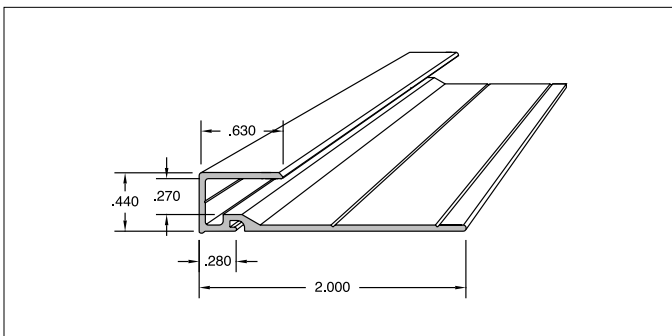
Item 4535X: Adjustable (Bendable) Outside Corner



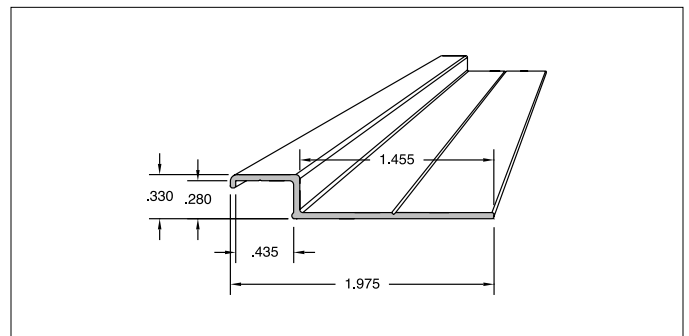
Item 4595X: Reveal "H" Molding



Item 4505X: "H" Molding

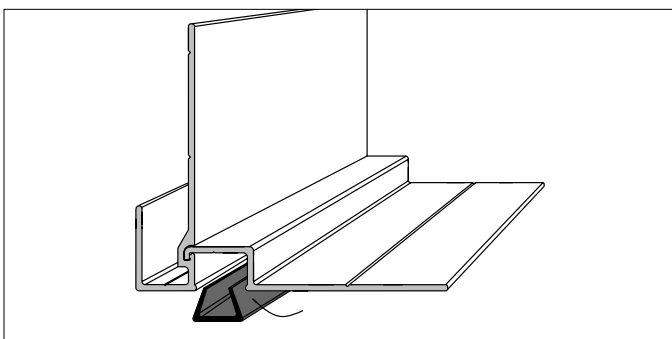


Item 4515X: "J" Molding



Item 4545X: "Z" Molding

All measurements shown in inches. The letter X identifies the molding color.



Fascia Soffit or Outside Corner ("J" Molding & "Z" Molding combined with plastic snap-in molding)