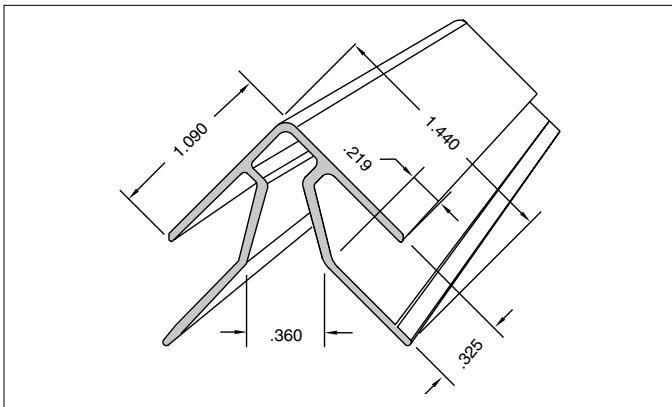
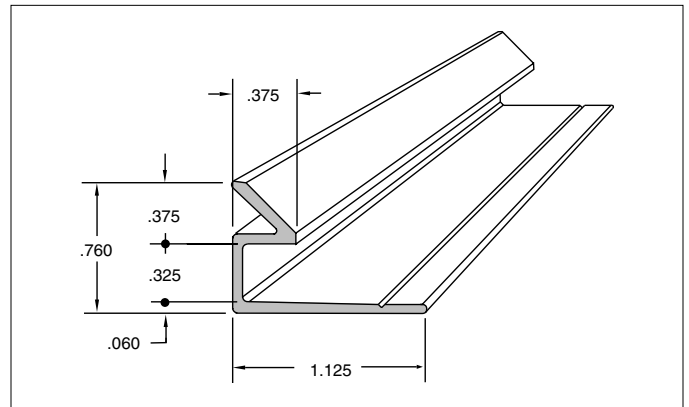


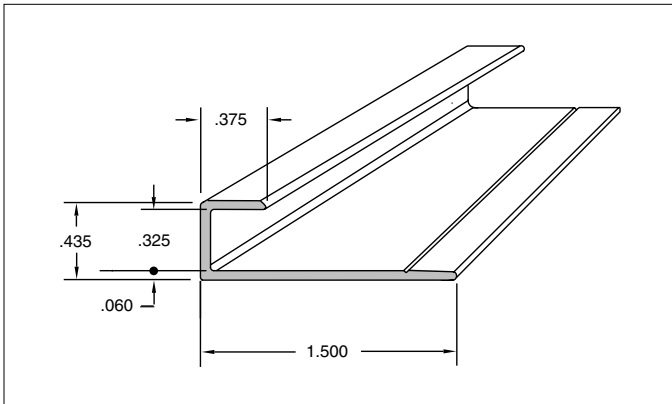
**1-PIECE, TIGHT-FIT MOLDING DIMENSIONS —
 OMEGA-PLY® PANELS**



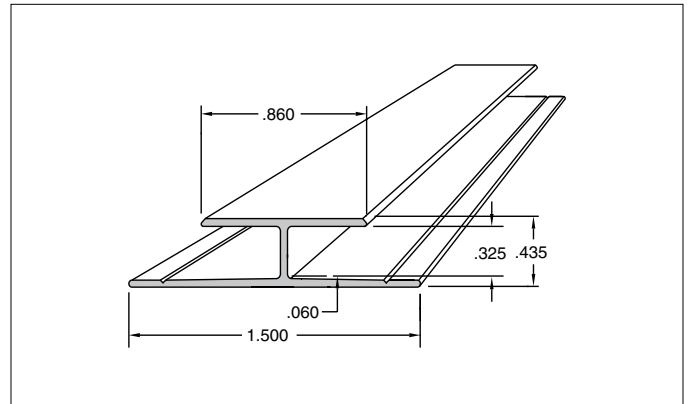
Item 4735X: Adjustable (Bendable) Outside Corner



Item 4725X: Inside Corner (Drip Cap)



Item 4715X: "J" Molding



Item 4705X: "H" Molding

All measurements shown in inches. The letter X identifies the molding color.