

IMPORTANT NOTICE

The following document is intended for support of Laminators Legacy Installation Systems, which are currently in-process of being phased out. If you are in the design phase of your project, please refer to Laminators NEW and IMPROVED Field-Fabricated Installation Systems (1-Piece, Tight-Fit Molding, Clip & Caulk) with Omega-Lite® ACM and Omega CI® rigid insulation panels.

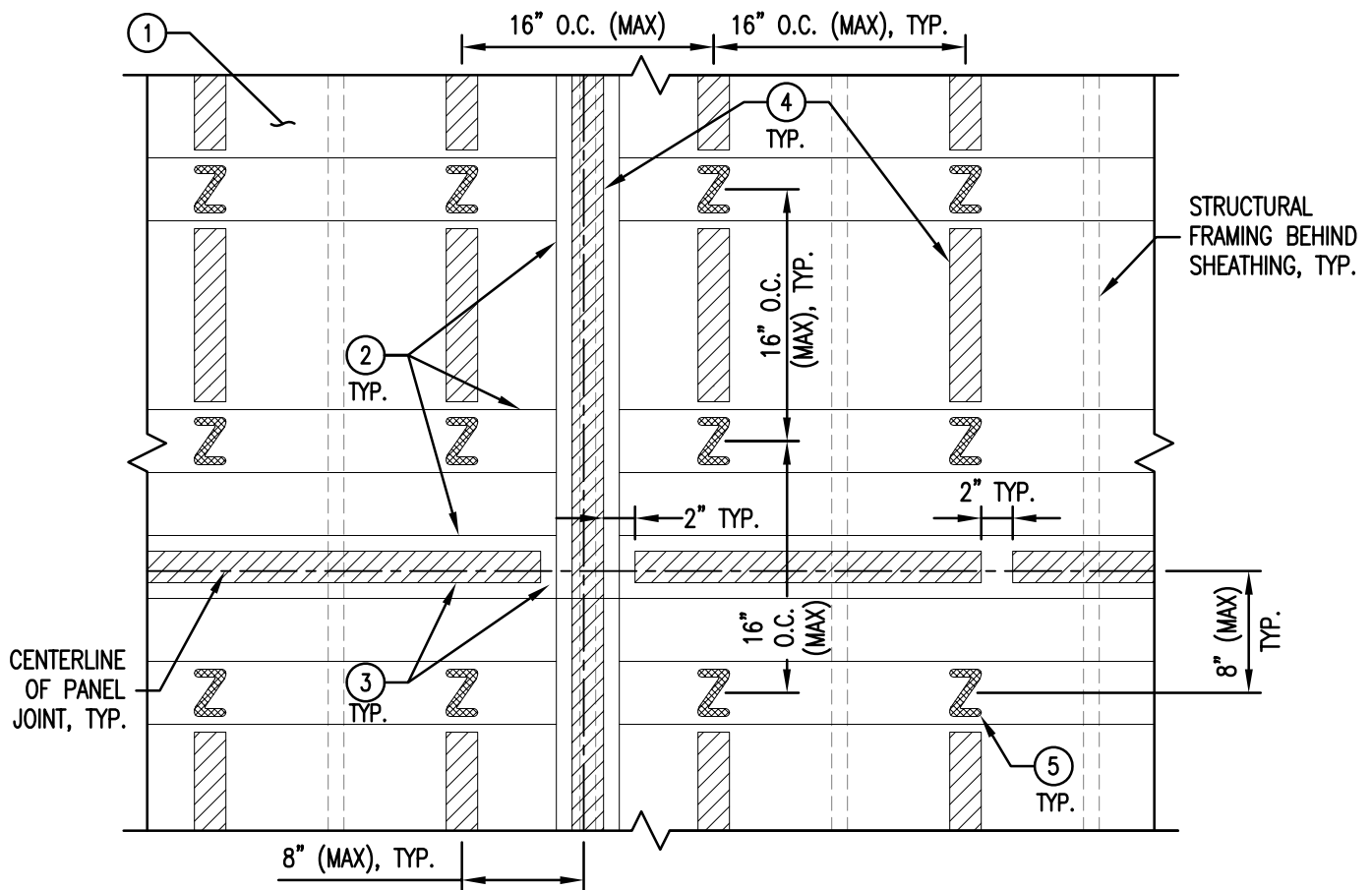
The following document is NOT comprehensive for design, bidding, or installation when used in isolation. Please refer to all related documents in their entirety for complete information regarding this ACM panel system. Such documents include, but may not be limited to, Technical Guides, Architectural Color Chart, Approved Materials List, Systems Guides, Technical Bulletins, Technical Data Sheets, CAD Drawings, Specifications, and Submittals. Visit LaminatorsInc.com for information on the latest documents regarding this panel system.

To consult directly with one of our Professional Engineers regarding our ACM panel systems, contact Laminators Technical Support between the hours of 8:00am – 5:00pm EST:

800.523.2347

LaminatorsInc.com

engineering@laminatorsinc.com



PARTIAL SYSTEM ELEVATION /
REFLECTED CEILING PLAN (R.C.P.)

- | | |
|---|---|
| <p>① EXTERIOR GRADE, NON-STRUCTURAL SHEATHING WITH AIR AND WATER BARRIER (TYPE AND VAPOR PERMEABILITY OF AWB TO BE DETERMINED BY DESIGN PROFESSIONAL OF RECORD)</p> <p>② CONTINUOUS 4" COLD-FORMED STRAPPING (18 GA. MIN) FASTENED THROUGH SHEATHING TO EACH STRUCTURAL FRAMING MEMBER BEHIND USING (3) #8 PPH SCREWS PER MEMBER</p> <ul style="list-style-type: none"> • HORIZONTAL STRAPS INSTALLED AT 16" O.C. (MAX SPACING) AND AS REQUIRED TO SUPPORT ALL HORIZONTAL PANEL JOINTS/EDGES • HORIZONTAL STRAPS ADJACENT TO PANEL JOINTS/EDGES TO BE INSTALLED 8" (MAX) FROM CENTERLINE OF STRAP SUPPORTING HORIZONTAL PANEL JOINT/EDGE • VERTICAL STRAPS TO BE INSTALLED AT ALL VERTICAL PANEL JOINTS/EDGES • WHERE VERTICAL PANEL JOINTS DO NOT ALIGN WITH STRUCTURAL FRAMING, VERTICAL STRAPS TO BE FASTENED TO EACH HORIZONTAL STRAP USING (4) #8 PPH SCREWS | <p>③ HORIZONTAL FOAM TAPE APPLIED TO COLD-FORMED STRAPPING ALONG HORIZONTAL PANEL JOINTS WITH 2" (MIN) GAPS FOR VENTING AND DRAINAGE AT 24" O.C. AND AT INTERFACES WITH CONTINUOUS VERTICAL FOAM TAPE</p> <p>④ CONTINUOUS VERTICAL FOAM TAPE APPLIED TO COLD-FORMED STRAPPING ALONG VERTICAL PANEL JOINTS; DISCONTINUOUS VERTICAL FOAM TAPE APPLIED TO SHEATHING BETWEEN PANEL ADHESIVE LOCATIONS</p> <p>⑤ 1/4" (MIN) TO 3/8" (MAX) BEAD OF LAMINATORS APPROVED PANEL ADHESIVE APPLIED TO COLD-FORMED STRAPPING IN 2" X 3" Z-FORMATION AT 16" O.C. (MAX) VERTICAL AND HORIZONTAL SPACING MEASURED IN FIELD OF PANEL AND ACROSS PANEL JOINTS; ADHESIVE MUST BE LOCATED WITHIN 8" OF ALL PANEL JOINTS/EDGES</p> |
|---|---|

NOTE: 60 PSF MAX WIND LOAD AS DETAILED. CONTACT LAMINATORS FOR INSTALLATIONS WITH WIND LOADS GREATER THAN 60 PSF.

COMPLIANCE NOTICE FOR NFPA 285
NFPA 285 COMPLIANCE REQUIRES SPECIALIZED DETAILING; CONTACT LAMINATORS TECHNICAL SUPPORT FOR DETAILING REQUIREMENTS

File Name: 20200131_1PTF_Non-Structural_Detail_Set_R3



www.LaminatorsInc.com

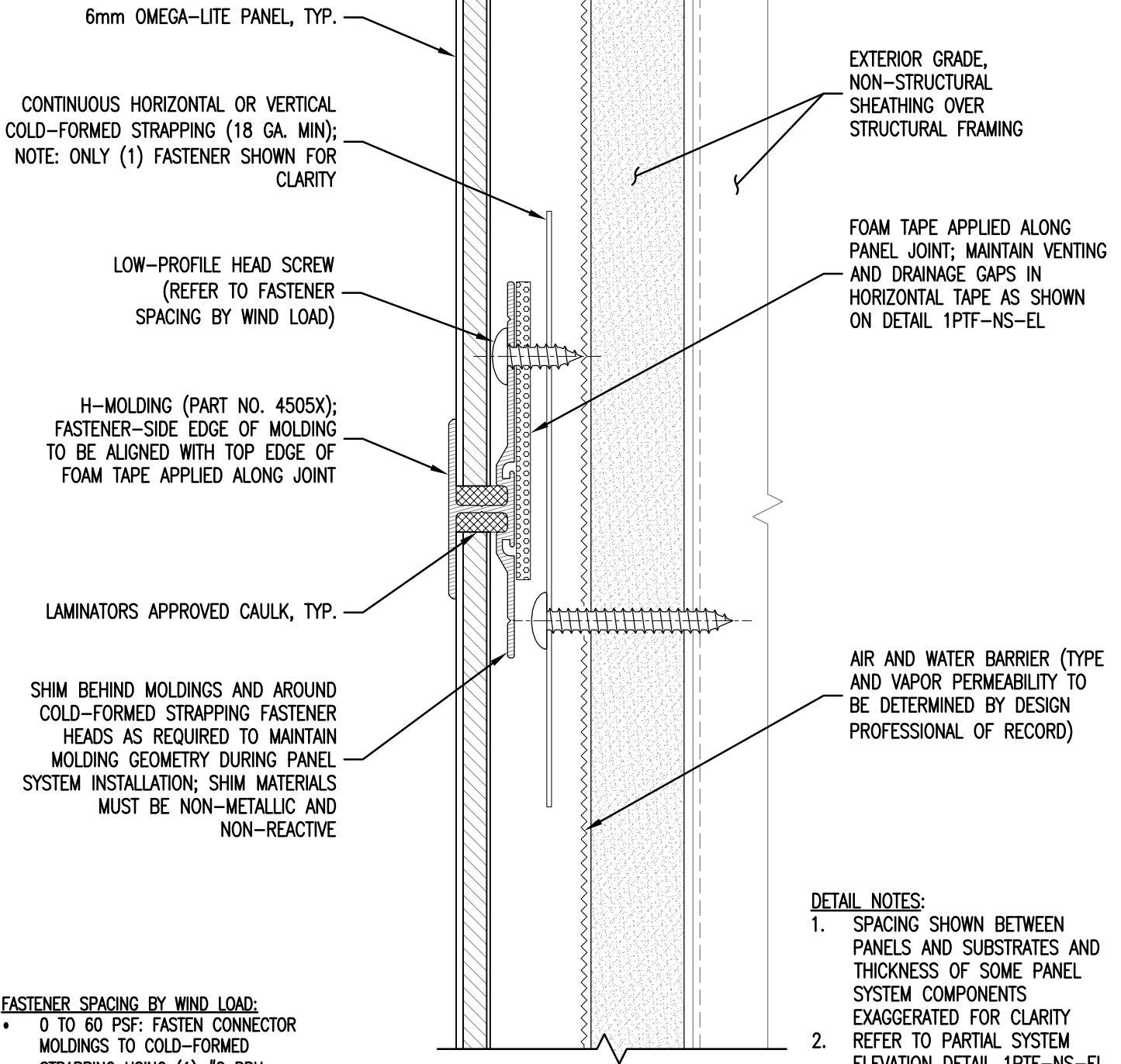
877.OMEGA.77

PARTIAL SYSTEM ELEVATION / R.C.P.

1-PIECE, TIGHT-FIT MOLDING INSTALLATION
SYSTEM OVER NON-STRUCTURAL SHEATHING

Date: 1/31/2020	Drawn By: JJM	Dwg. No.: 1PTF-NS-EL	Rev: 03
--------------------	------------------	-------------------------	------------

NOTE: THIS DETAIL IS APPLICABLE TO BOTH HORIZONTAL AND VERTICAL JOINT CONDITIONS



- FASTENER SPACING BY WIND LOAD:**
- 0 TO 60 PSF: FASTEN CONNECTOR MOLDINGS TO COLD-FORMED STRAPPING USING (1) #8 PPH SCREW AT 12" O.C.
 - GREATER THAN 60 PSF: CONTACT LAMINATORS TECHNICAL SUPPORT

- DETAIL NOTES:**
1. SPACING SHOWN BETWEEN PANELS AND SUBSTRATES AND THICKNESS OF SOME PANEL SYSTEM COMPONENTS EXAGGERATED FOR CLARITY
 2. REFER TO PARTIAL SYSTEM ELEVATION DETAIL 1PTF-NS-EL FOR REQUIRED STRAPPING FOAM TAPE, AND PANEL ADHESIVE LAYOUT

File Name: 20200131_1PTF_Non-Structural_Detail_Set_R3



www.LaminatorsInc.com

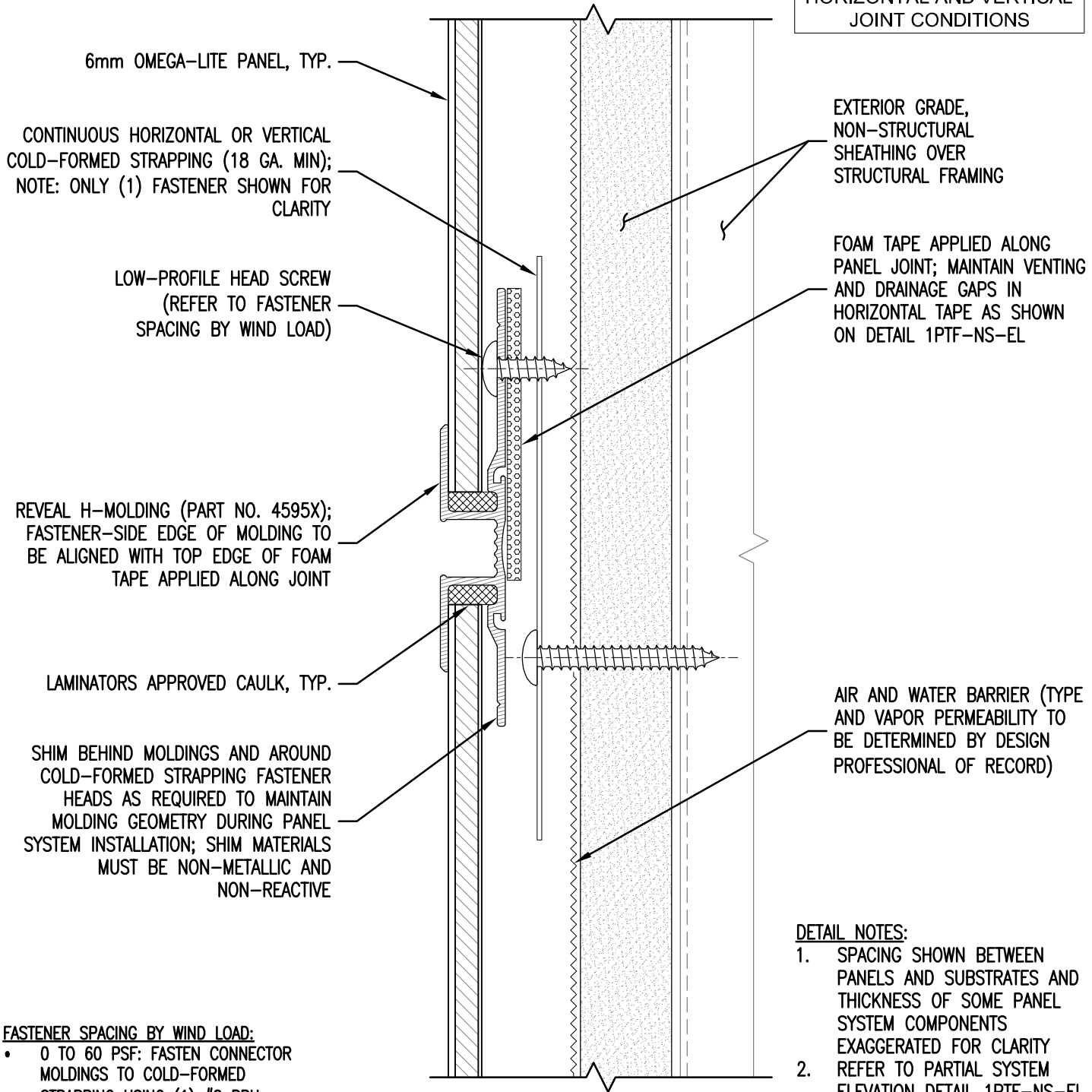
877.OMEGA.77

TYPICAL JOINT DETAIL

1-PIECE, TIGHT-FIT MOLDING INSTALLATION SYSTEM OVER NON-STRUCTURAL SHEATHING

Date: 1/31/2020	Drawn By: JJM	Dwg. No.: 1PTF-NS-01	Rev: 03
--------------------	------------------	-------------------------	------------

NOTE: THIS DETAIL IS APPLICABLE TO BOTH HORIZONTAL AND VERTICAL JOINT CONDITIONS



6mm OMEGA-LITE PANEL, TYP.

CONTINUOUS HORIZONTAL OR VERTICAL COLD-FORMED STRAPPING (18 GA. MIN); NOTE: ONLY (1) FASTENER SHOWN FOR CLARITY

LOW-PROFILE HEAD SCREW (REFER TO FASTENER SPACING BY WIND LOAD)

EXTERIOR GRADE, NON-STRUCTURAL SHEATHING OVER STRUCTURAL FRAMING

FOAM TAPE APPLIED ALONG PANEL JOINT; MAINTAIN VENTING AND DRAINAGE GAPS IN HORIZONTAL TAPE AS SHOWN ON DETAIL 1PTF-NS-EL

REVEAL H-MOLDING (PART NO. 4595X); FASTENER-SIDE EDGE OF MOLDING TO BE ALIGNED WITH TOP EDGE OF FOAM TAPE APPLIED ALONG JOINT

LAMINATORS APPROVED CAULK, TYP.

AIR AND WATER BARRIER (TYPE AND VAPOR PERMEABILITY TO BE DETERMINED BY DESIGN PROFESSIONAL OF RECORD)

SHIM BEHIND MOLDINGS AND AROUND COLD-FORMED STRAPPING FASTENER HEADS AS REQUIRED TO MAINTAIN MOLDING GEOMETRY DURING PANEL SYSTEM INSTALLATION; SHIM MATERIALS MUST BE NON-METALLIC AND NON-REACTIVE

SECTION VIEW

DETAIL NOTES:

1. SPACING SHOWN BETWEEN PANELS AND SUBSTRATES AND THICKNESS OF SOME PANEL SYSTEM COMPONENTS EXAGGERATED FOR CLARITY
2. REFER TO PARTIAL SYSTEM ELEVATION DETAIL 1PTF-NS-EL FOR REQUIRED STRAPPING FOAM TAPE, AND PANEL ADHESIVE LAYOUT

FASTENER SPACING BY WIND LOAD:

- 0 TO 60 PSF: FASTEN CONNECTOR MOLDINGS TO COLD-FORMED STRAPPING USING (1) #8 PPH SCREW AT 12" O.C.
- GREATER THAN 60 PSF: CONTACT LAMINATORS TECHNICAL SUPPORT

File Name: 20200131_1PTF_Non-Structural_Detail_Set_R3



www.LaminatorsInc.com

877.OMEGA.77

TYPICAL REVEAL JOINT DETAIL
 1-PIECE, TIGHT-FIT MOLDING INSTALLATION SYSTEM OVER NON-STRUCTURAL SHEATHING

Date: 1/31/2020	Drawn By: JJM	Dwg. No.: 1PTF-NS-01A	Rev: 03
--------------------	------------------	--------------------------	------------

CONTINUOUS HORIZONTAL COLD-FORMED STRAPPING (18 GA. MIN) APPLIED ALONG PANEL EDGE; NOTE: ONLY (1) FASTENER SHOWN FOR CLARITY

HORIZONTAL FOAM TAPE APPLIED ALONG PANEL EDGE; MAINTAIN VENTING AND DRAINAGE GAPS SIMILAR TO THAT SHOWN ON 1PTF-NS-EL

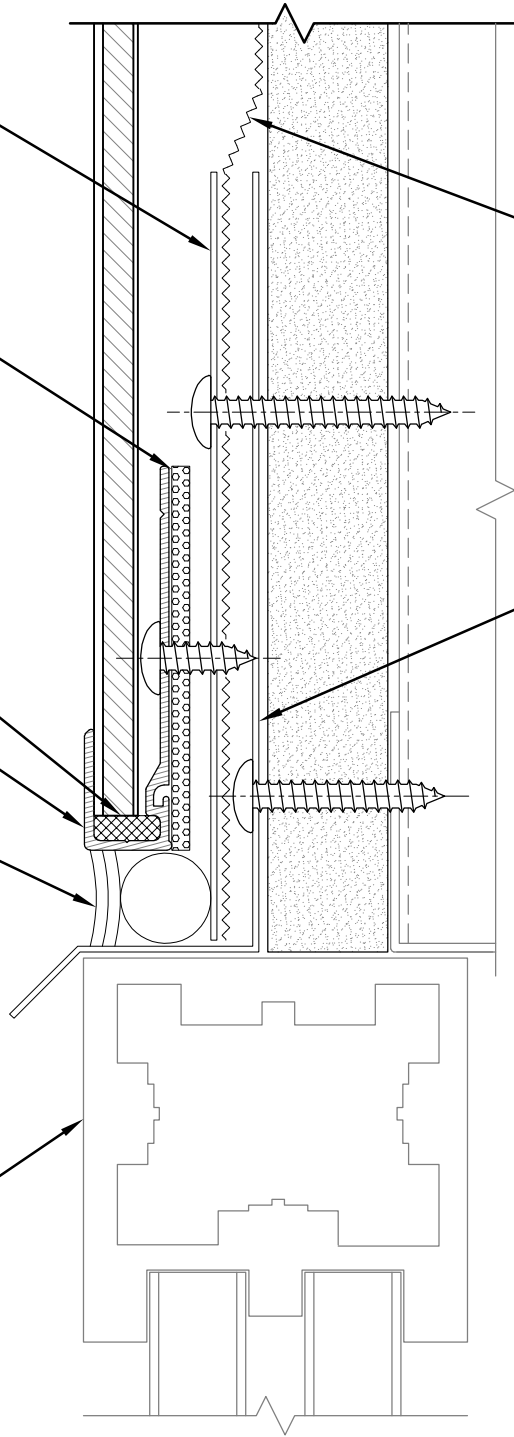
AIR AND WATER BARRIER TO LAP OVER METAL FLASHING IN SHINGLE FASHION

METAL HEAD FLASHING MECHANICALLY FASTENED TO SHEATHING (COORDINATE W/ WINDOW SYSTEM INSTALLATION REQUIREMENTS)

LAMINATORS APPROVED CAULK
J-MOLDING (PART NO. 4515X)

1/2" SEALANT JOINT W/ CLOSED-CELL BACKER ROD; PROVIDE GAPS IN SEALANT AND BACKER ROD AT FOAM TAPE VENTING LOCATIONS

WINDOW SYSTEM BY OTHERS



SECTION VIEW

DETAIL NOTES:

1. SPACING SHOWN BETWEEN PANELS AND SUBSTRATES AND THICKNESS OF SOME PANEL SYSTEM COMPONENTS EXAGGERATED FOR CLARITY
2. REFER TO PARTIAL SYSTEM ELEVATION DETAIL 1PTF-NS-EL FOR REQUIRED STRAPPING, FOAM TAPE, AND PANEL ADHESIVE LAYOUT
3. REFER TO JOINT DETAILS 1PTF-NS-01 & 1PTF-NS-01A FOR FASTENER SPACING AND TYPICAL COMPONENTS NOT ANNOTATED

File Name: 20200131_1PTF_Non-Structural_Detail_Set_R3



www.LaminatorsInc.com

877.OMEGA.77

TYPICAL HEAD DETAIL

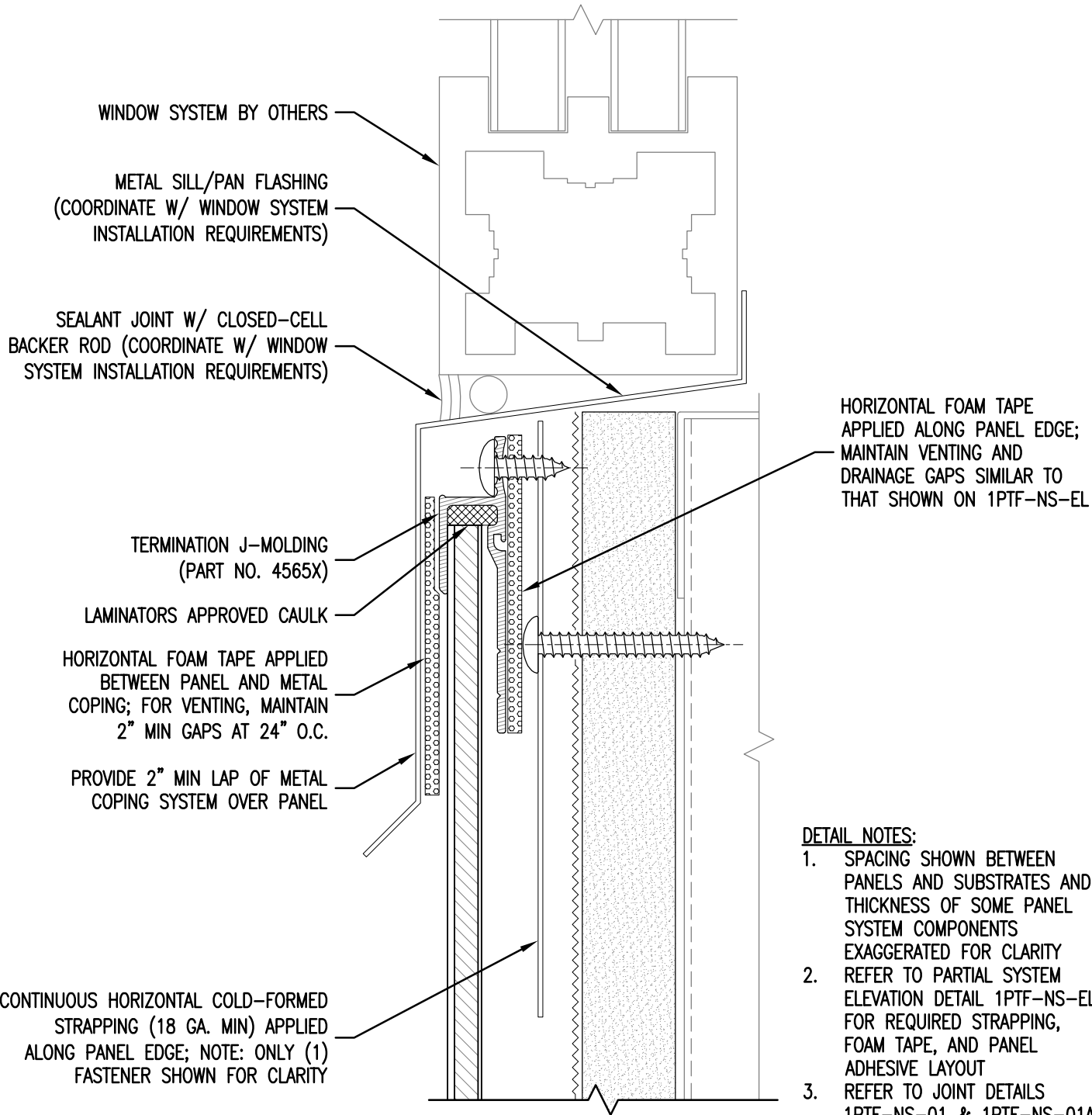
1-PIECE, TIGHT-FIT MOLDING INSTALLATION SYSTEM OVER NON-STRUCTURAL SHEATHING

Date:
1/31/2020

Drawn By:
JJM

Dwg. No.:
1PTF-NS-02

Rev:
03



- DETAIL NOTES:**
1. SPACING SHOWN BETWEEN PANELS AND SUBSTRATES AND THICKNESS OF SOME PANEL SYSTEM COMPONENTS EXAGGERATED FOR CLARITY
 2. REFER TO PARTIAL SYSTEM ELEVATION DETAIL 1PTF-NS-EL FOR REQUIRED STRAPPING, FOAM TAPE, AND PANEL ADHESIVE LAYOUT
 3. REFER TO JOINT DETAILS 1PTF-NS-01 & 1PTF-NS-01A FOR FASTENER SPACING AND TYPICAL COMPONENTS NOT ANNOTATED

File Name: 20200131_1PTF_Non-Structural_Detail_Set_R3



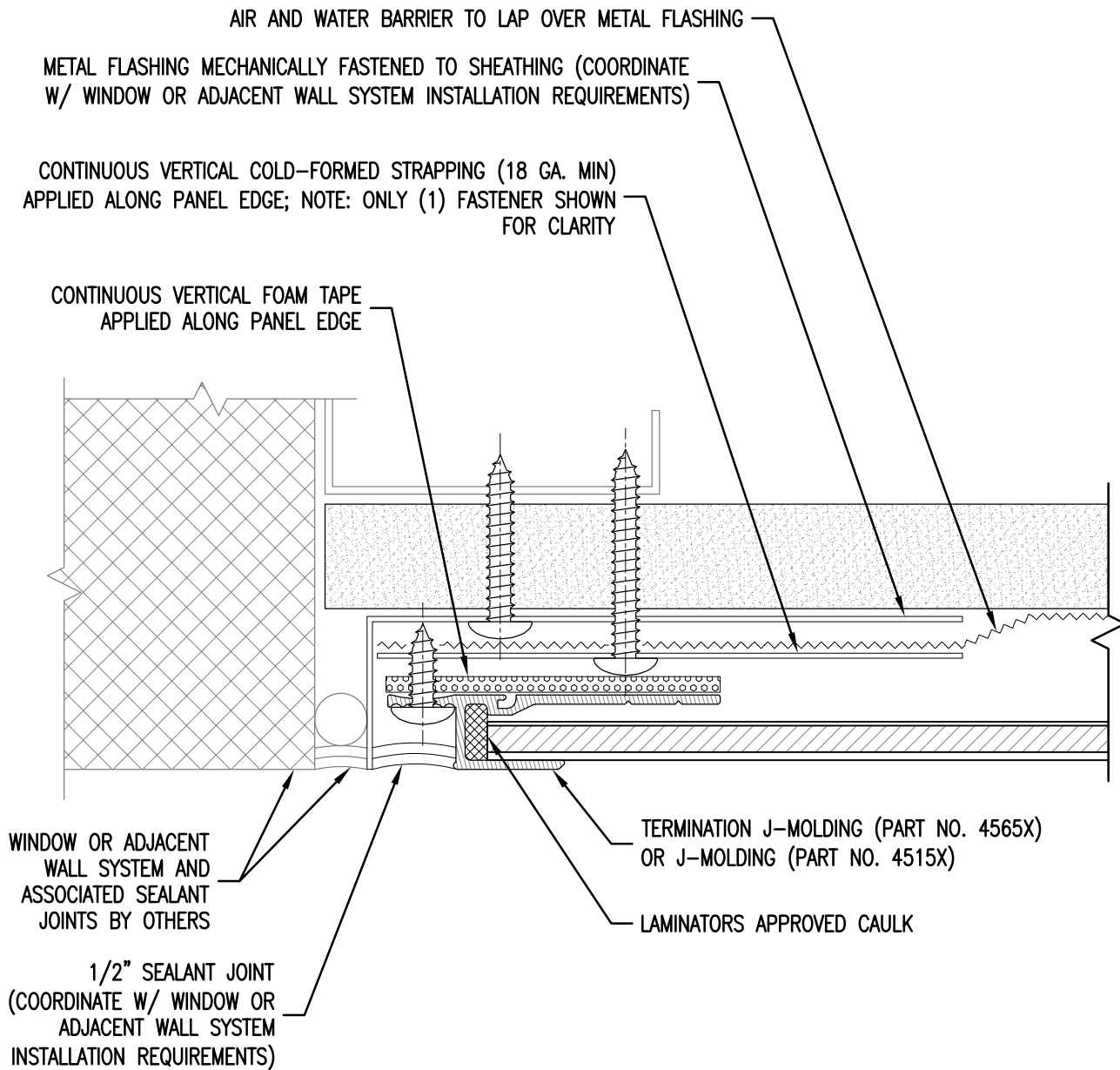
www.LaminatorsInc.com

877.OMEGA.77

TYPICAL SILL DETAIL

1-PIECE, TIGHT-FIT MOLDING INSTALLATION SYSTEM OVER NON-STRUCTURAL SHEATHING

Date: 1/31/2020	Drawn By: JJM	Dwg. No.: 1PTF-NS-03	Rev: 03
--------------------	------------------	-------------------------	------------



PLAN SECTION VIEW

DETAIL NOTES:

1. SPACING SHOWN BETWEEN PANELS AND SUBSTRATES AND THICKNESS OF SOME PANEL SYSTEM COMPONENTS EXAGGERATED FOR CLARITY
2. REFER TO PARTIAL SYSTEM ELEVATION DETAIL 1PTF-NS-EL FOR REQUIRED STRAPPING, FOAM TAPE, AND PANEL ADHESIVE LAYOUT
3. REFER TO JOINT DETAILS 1PTF-NS-01 & 1PTF-NS-01A FOR FASTENER SPACING AND TYPICAL COMPONENTS NOT ANNOTATED

File Name: 20200131_1PTF_Non-Structural_Detail_Set_R3



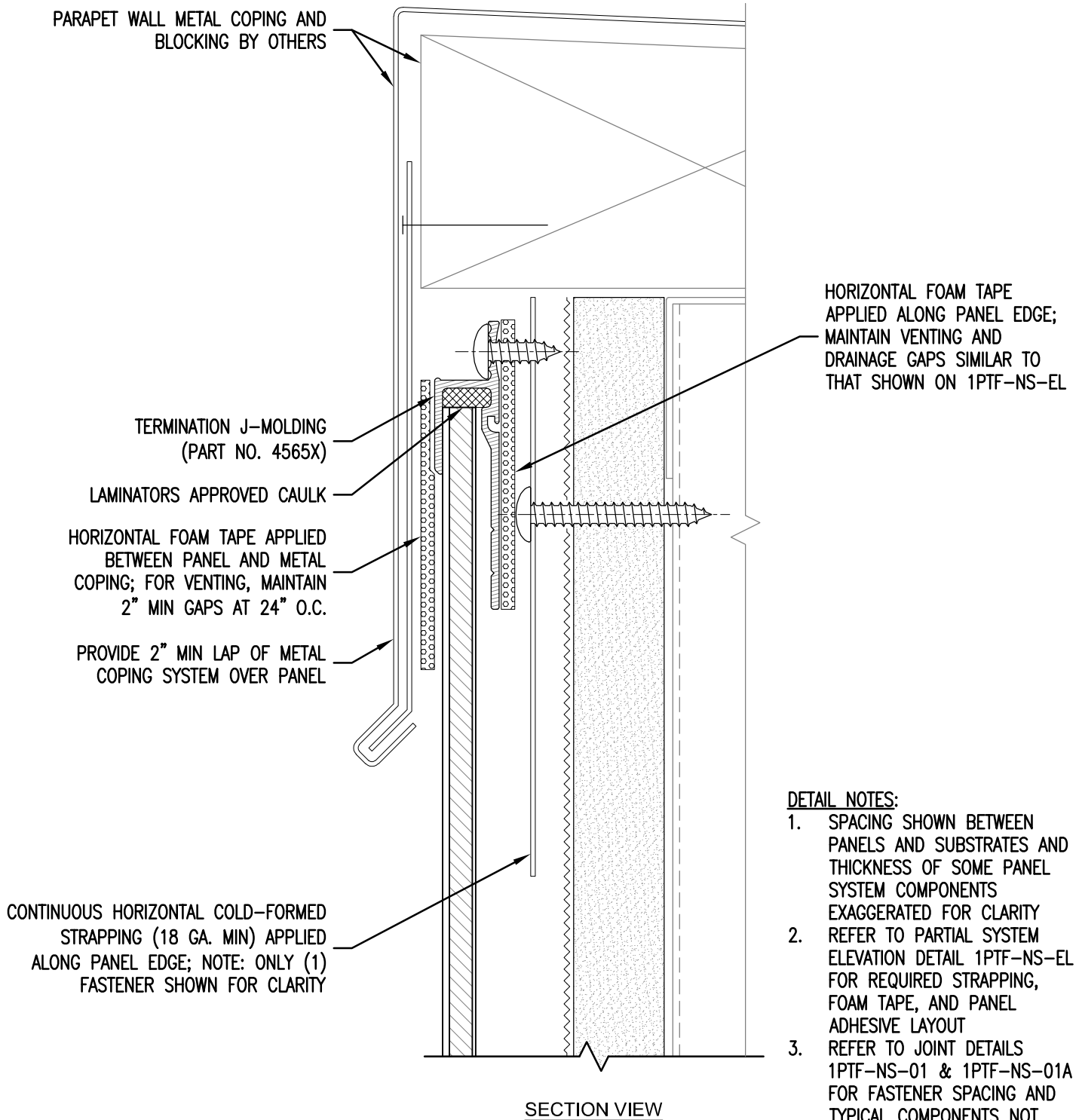
www.LaminatorsInc.com

877.OMEGA.77

TYPICAL JAMB / END-OF-RUN DETAIL

1-PIECE, TIGHT-FIT MOLDING INSTALLATION SYSTEM OVER NON-STRUCTURAL SHEATHING

Date: 1/31/2020	Drawn By: JJM	Dwg. No.: 1PTF-NS-04	Rev: 03
--------------------	------------------	-------------------------	------------



DETAIL NOTES:

1. SPACING SHOWN BETWEEN PANELS AND SUBSTRATES AND THICKNESS OF SOME PANEL SYSTEM COMPONENTS EXAGGERATED FOR CLARITY
2. REFER TO PARTIAL SYSTEM ELEVATION DETAIL 1PTF-NS-EL FOR REQUIRED STRAPPING, FOAM TAPE, AND PANEL ADHESIVE LAYOUT
3. REFER TO JOINT DETAILS 1PTF-NS-01 & 1PTF-NS-01A FOR FASTENER SPACING AND TYPICAL COMPONENTS NOT ANNOTATED

File Name: 20200131_1PTF_Non-Structural_Detail_Set_R3



www.LaminatorsInc.com

877.OMEGA.77

TYPICAL PARAPET DETAIL

1-PIECE, TIGHT-FIT MOLDING INSTALLATION SYSTEM OVER NON-STRUCTURAL SHEATHING

Date:
1/31/2020

Drawn By:
JJM

Dwg. No.:
1PTF-NS-05

Rev:
03

CONTINUOUS HORIZONTAL COLD-FORMED STRAPPING (18 GA. MIN) APPLIED ALONG PANEL EDGE; NOTE: ONLY (1) FASTENER SHOWN FOR CLARITY

HORIZONTAL FOAM TAPE APPLIED ALONG PANEL EDGE; MAINTAIN VENTING AND DRAINAGE GAPS SIMILAR TO THAT SHOWN ON 1PTF-NS-EL

LAMINATORS APPROVED CAULK
 J-MOLDING (PART NO. 4515X)
 1/2" SEALANT JOINT W/ CLOSED-CELL BACKER ROD; PROVIDE GAPS IN SEALANT AND BACKER ROD AT FOAM TAPE VENTING LOCATIONS

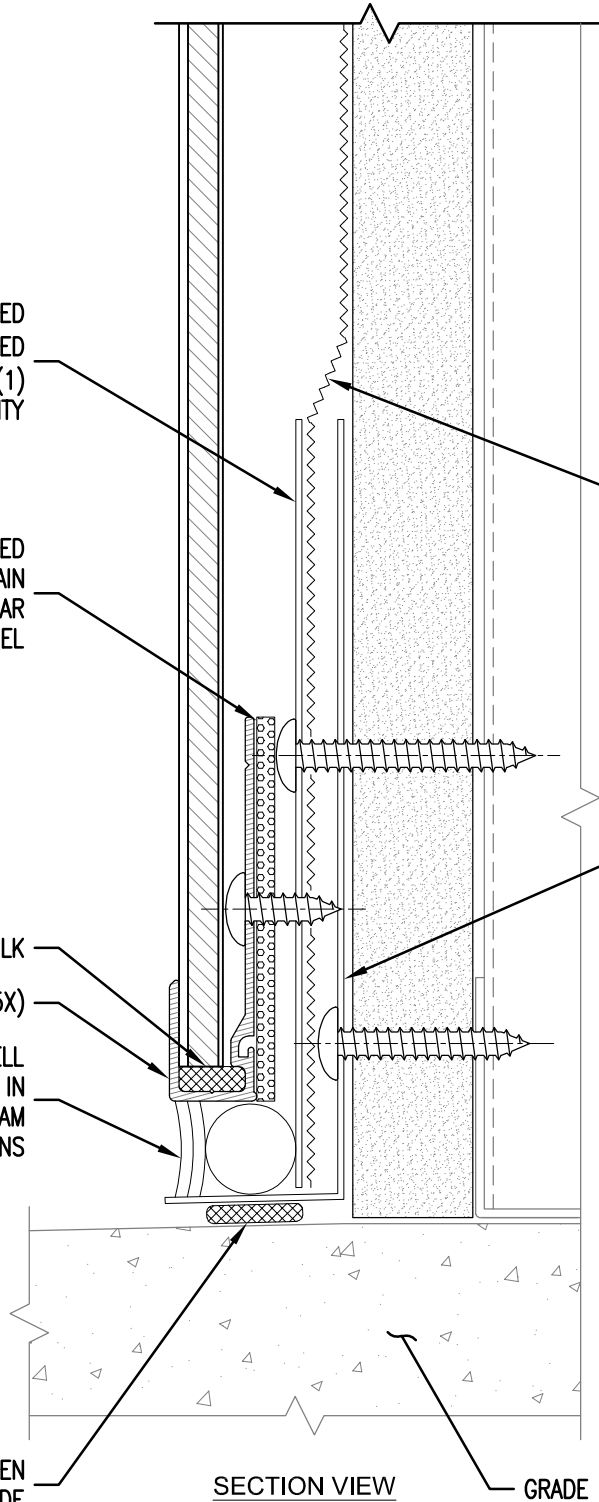
CONTINUOUS BUTYL SEALANT BETWEEN METAL FLASHING AND GRADE

AIR AND WATER BARRIER TO LAP OVER METAL FLASHING IN SHINGLE FASHION

METAL BASE FLASHING MECHANICALLY FASTENED TO SHEATHING (COORDINATE W/ INSTALLATION REQUIREMENTS FOR INTERFACE WITH GRADE CONDITIONS)

DETAIL NOTES:

1. SPACING SHOWN BETWEEN PANELS AND SUBSTRATES AND THICKNESS OF SOME PANEL SYSTEM COMPONENTS EXAGGERATED FOR CLARITY
2. REFER TO PARTIAL SYSTEM ELEVATION DETAIL 1PTF-NS-EL FOR REQUIRED STRAPPING, FOAM TAPE, AND PANEL ADHESIVE LAYOUT
3. REFER TO JOINT DETAILS 1PTF-NS-01 & 1PTF-NS-01A FOR FASTENER SPACING AND TYPICAL COMPONENTS NOT ANNOTATED



File Name: 20200131_1PTF_Non-Structural_Detail_Set_R3



www.LaminatorsInc.com

877.OMEGA.77

TYPICAL GRADE DETAIL

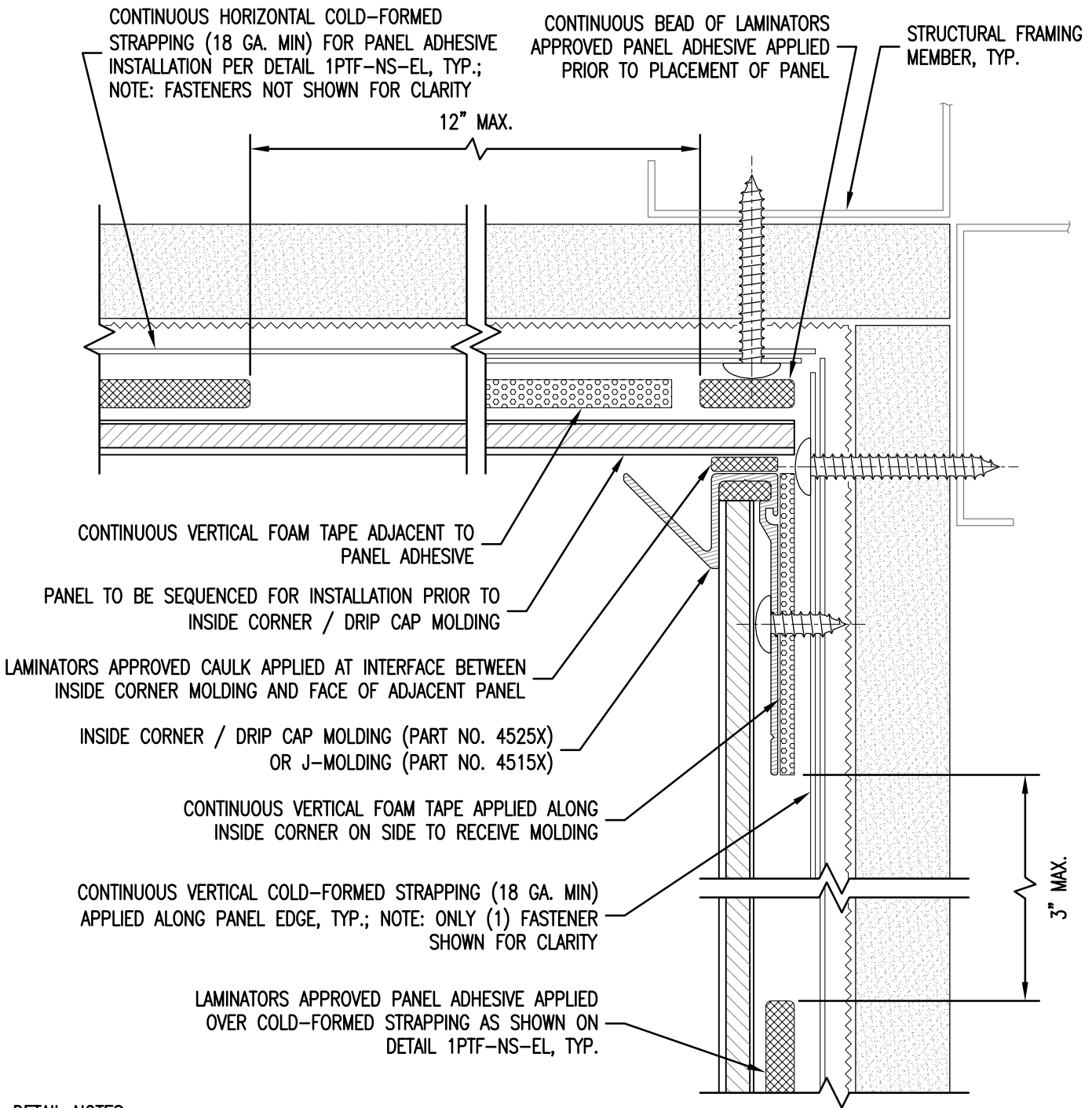
1-PIECE, TIGHT-FIT MOLDING INSTALLATION SYSTEM OVER NON-STRUCTURAL SHEATHING

Date:
1/31/2020

Drawn By:
JJM

Dwg. No.:
1PTF-NS-06

Rev:
03



PLAN SECTION VIEW

DETAIL NOTES:

1. SPACING SHOWN BETWEEN PANELS AND SUBSTRATES AND THICKNESS OF SOME PANEL SYSTEM COMPONENTS EXAGGERATED FOR CLARITY
2. REFER TO PARTIAL SYSTEM ELEVATION DETAIL 1PTF-NS-EL FOR REQUIRED STRAPPING, FOAM TAPE, AND PANEL ADHESIVE LAYOUT
3. REFER TO JOINT DETAILS 1PTF-NS-01 & 1PTF-NS-01A FOR FASTENER SPACING AND TYPICAL COMPONENTS NOT ANNOTATED

File Name: 20200131_1PTF_Non-Structural_Detail_Set_R3



www.LaminatorsInc.com

877.OMEGA.77

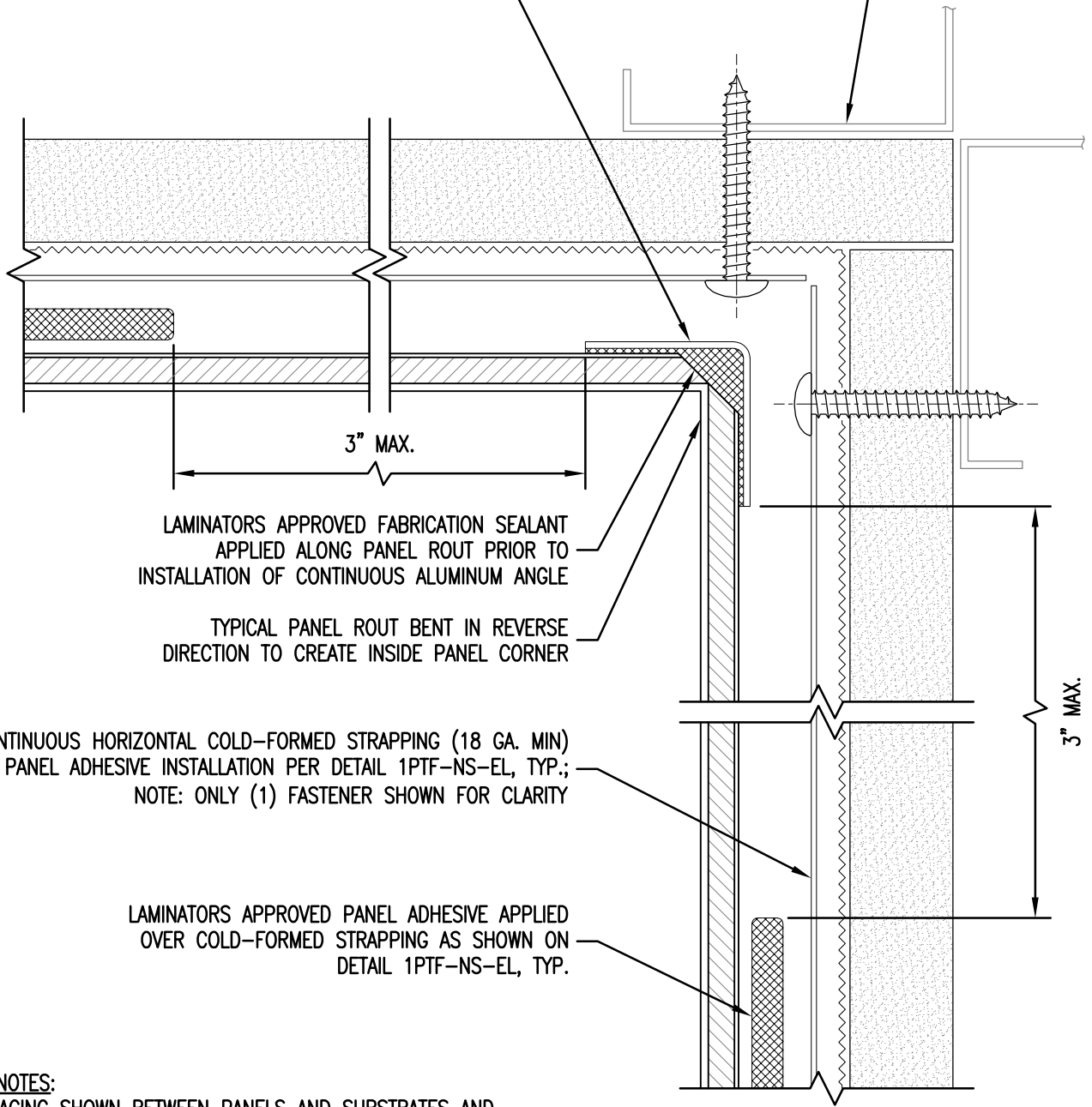
TYPICAL INSIDE CORNER DETAIL

1-PIECE, TIGHT-FIT MOLDING INSTALLATION SYSTEM OVER NON-STRUCTURAL SHEATHING

Date: 1/31/2020	Drawn By: JJM	Dwg. No.: 1PTF-NS-07	Rev: 03
--------------------	------------------	-------------------------	------------

CONTINUOUS 1" X 1" X 0.060" ALUMINUM ANGLE (PART NO. 44DS-ANGLE) INSTALLED ALONG LENGTH OF INSIDE PANEL CORNER; ANGLE TO BE SET IN FULL BED OF TOOLED FABRICATION SEALANT

STRUCTURAL FRAMING MEMBER, TYP.



LAMINATORS APPROVED FABRICATION SEALANT APPLIED ALONG PANEL ROUT PRIOR TO INSTALLATION OF CONTINUOUS ALUMINUM ANGLE

TYPICAL PANEL ROUT BENT IN REVERSE DIRECTION TO CREATE INSIDE PANEL CORNER

CONTINUOUS HORIZONTAL COLD-FORMED STRAPPING (18 GA. MIN) FOR PANEL ADHESIVE INSTALLATION PER DETAIL 1PTF-NS-EL, TYP.; NOTE: ONLY (1) FASTENER SHOWN FOR CLARITY

LAMINATORS APPROVED PANEL ADHESIVE APPLIED OVER COLD-FORMED STRAPPING AS SHOWN ON DETAIL 1PTF-NS-EL, TYP.

PLAN SECTION VIEW

DETAIL NOTES:

1. SPACING SHOWN BETWEEN PANELS AND SUBSTRATES AND THICKNESS OF SOME PANEL SYSTEM COMPONENTS EXAGGERATED FOR CLARITY
2. REFER TO PARTIAL SYSTEM ELEVATION DETAIL 1PTF-NS-EL FOR REQUIRED STRAPPING, FOAM TAPE, AND PANEL ADHESIVE LAYOUT
3. REFER TO JOINT DETAILS 1PTF-NS-01 & 1PTF-NS-01A FOR FASTENER SPACING AND TYPICAL COMPONENTS NOT ANNOTATED

File Name: 20200131_1PTF_Non-Structural_Detail_Set_R3



www.LaminatorsInc.com

877.OMEGA.77

ALTERNATE INSIDE CORNER DETAIL

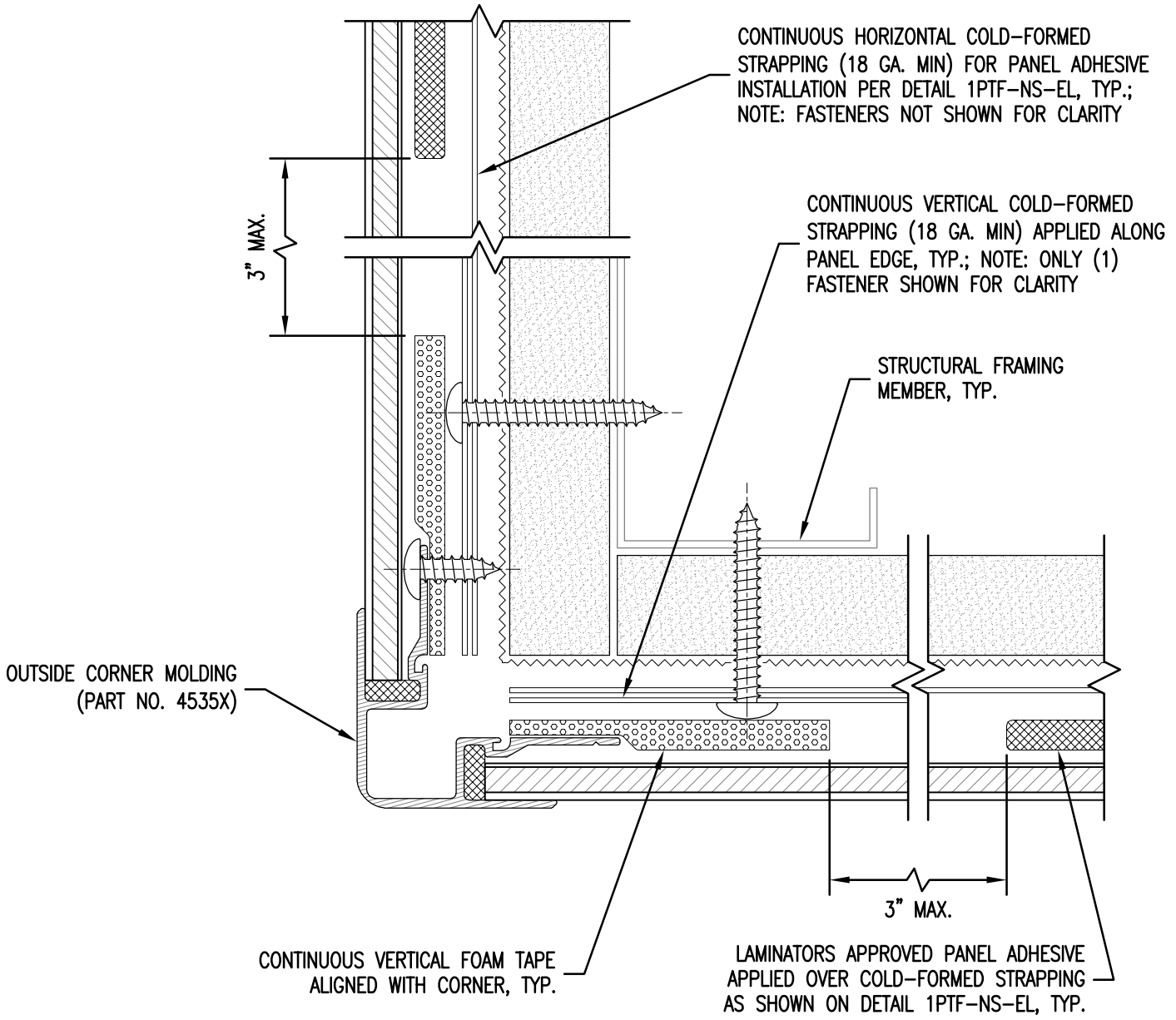
1-PIECE, TIGHT-FIT MOLDING INSTALLATION SYSTEM OVER NON-STRUCTURAL SHEATHING

Date:
1/31/2020

Drawn By:
JJM

Dwg. No.:
1PTF-NS-07A

Rev:
03



PLAN SECTION VIEW

DETAIL NOTES:

1. SPACING SHOWN BETWEEN PANELS AND SUBSTRATES AND THICKNESS OF SOME PANEL SYSTEM COMPONENTS EXAGGERATED FOR CLARITY
2. REFER TO PARTIAL SYSTEM ELEVATION DETAIL 1PTF-NS-EL FOR REQUIRED STRAPPING, FOAM TAPE, AND PANEL ADHESIVE LAYOUT
3. REFER TO JOINT DETAILS 1PTF-NS-01 & 1PTF-NS-01A FOR FASTENER SPACING AND TYPICAL COMPONENTS NOT ANNOTATED

NOTE: THIS DETAIL IS NOT TO BE USED FOR FASCIA-TO-SOFFIT TRANSITIONS

File Name: 20200131_1PTF_Non-Structural_Detail_Set_R3



www.LaminatorsInc.com

877.OMEGA.77

TYPICAL OUTSIDE CORNER DETAIL
 1-PIECE, TIGHT-FIT MOLDING INSTALLATION
 SYSTEM OVER NON-STRUCTURAL SHEATHING

Date: 1/31/2020	Drawn By: JJM	Dwg. No.: 1PTF-NS-08	Rev: 03
--------------------	------------------	-------------------------	------------

LAMINATORS APPROVED
 PANEL ADHESIVE APPLIED
 OVER COLD-FORMED
 STRAPPING AS SHOWN ON
 DETAIL 1PTF-NS-EL, TYP.

CONTINUOUS HORIZONTAL COLD-FORMED STRAPPING
 (18 GA. MIN) FOR PANEL ADHESIVE INSTALLATION
 PER DETAIL 1PTF-NS-EL; NOTE: ONLY (1)
 FASTENER SHOWN FOR CLARITY

3" MAX.

STRUCTURAL FRAMING
 MEMBER, TYP.

LAMINATORS APPROVED
 FABRICATION SEALANT
 APPLIED TO PANEL ROUT
 PRIOR TO BENDING TO
 FORM PANEL CORNER
 (REFERENCE LAMINATORS
 ROUT AND RETURN
 INSTALLATION MANUAL)

3" MAX.

CONTINUOUS 1" X 1" X 0.060" ALUMINUM ANGLE (PART NO.
 44DS-ANGLE) INSTALLED ALONG LENGTH OF OUTSIDE PANEL CORNER;
 ANGLE TO BE SET IN FULL BED OF TOOLED FABRICATION SEALANT

PLAN SECTION VIEW

DETAIL NOTES:

1. SPACING SHOWN BETWEEN PANELS AND SUBSTRATES AND THICKNESS OF SOME PANEL SYSTEM COMPONENTS EXAGGERATED FOR CLARITY
2. REFER TO PARTIAL SYSTEM ELEVATION DETAIL 1PTF-NS-EL FOR REQUIRED STRAPPING, FOAM TAPE, AND PANEL ADHESIVE LAYOUT
3. REFER TO JOINT DETAILS 1PTF-NS-01 & 1PTF-NS-01A FOR FASTENER SPACING AND TYPICAL COMPONENTS NOT ANNOTATED

NOTE: THIS DETAIL IS NOT TO BE USED FOR FASCIA-TO-SOFFIT TRANSITIONS

File Name: 20200131_1PTF_Non-Structural_Detail_Set_R3



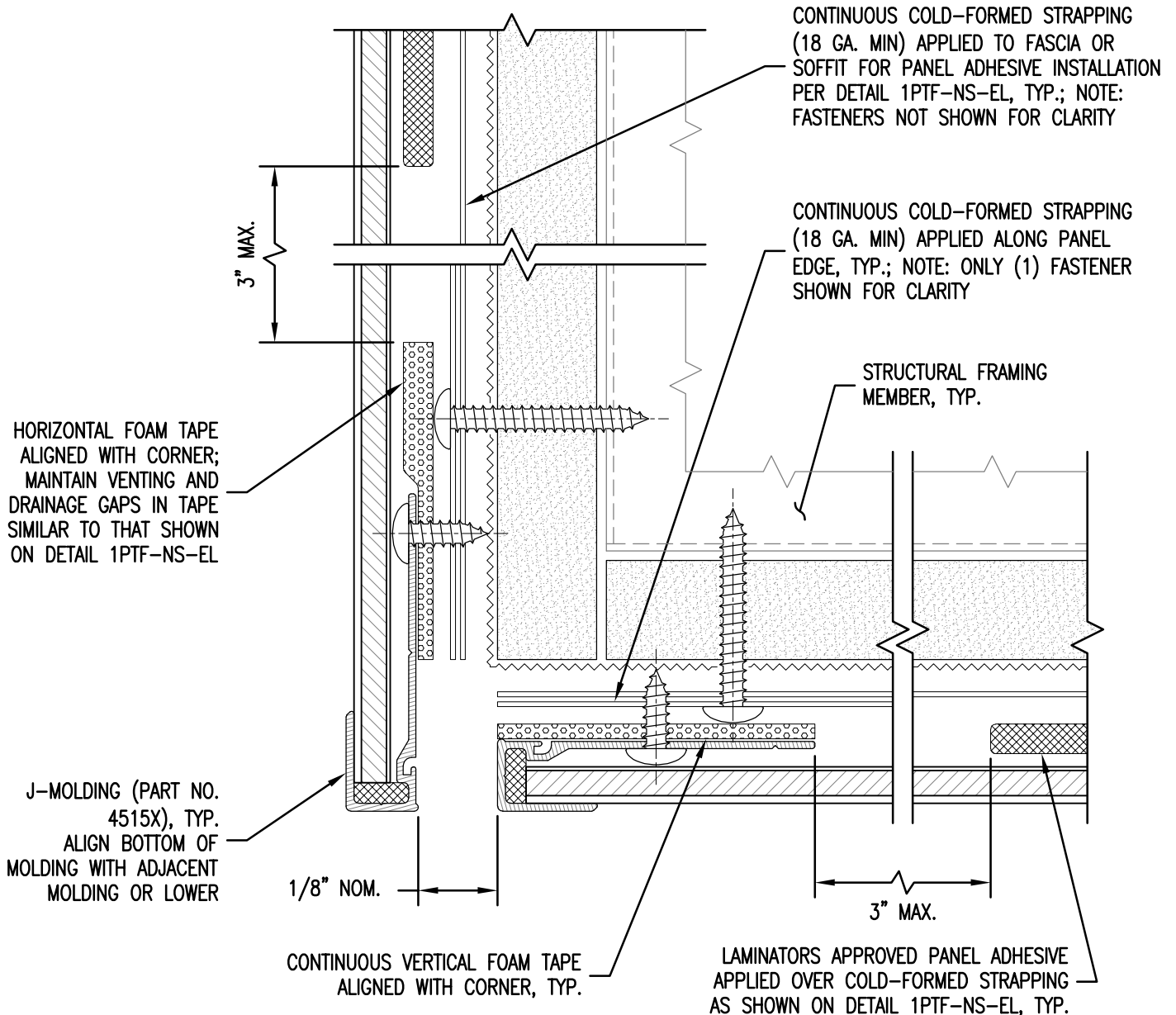
www.LaminatorsInc.com

877.OMEGA.77

ALTERNATE OUTSIDE CORNER DETAIL

1-PIECE, TIGHT-FIT MOLDING INSTALLATION
 SYSTEM OVER NON-STRUCTURAL SHEATHING

Date: 1/31/2020	Drawn By: JJM	Dwg. No.: 1PTF-NS-08A	Rev: 03
--------------------	------------------	--------------------------	------------



SECTION VIEW

DETAIL NOTES:

1. SPACING SHOWN BETWEEN PANELS AND SUBSTRATES AND THICKNESS OF SOME PANEL SYSTEM COMPONENTS EXAGGERATED FOR CLARITY
2. REFER TO PARTIAL SYSTEM ELEVATION DETAIL 1PTF-NS-EL FOR REQUIRED STRAPPING, FOAM TAPE, AND PANEL ADHESIVE LAYOUT
3. REFER TO JOINT DETAILS 1PTF-NS-01 & 1PTF-NS-01A FOR FASTENER SPACING AND TYPICAL COMPONENTS NOT ANNOTATED

NOTE: FOR INSTALLATION OF FASCIA-TO-SOFFIT TRANSITIONS OVER CURVED SUBSTRATES, REFER TO OMEGA-FLEX INSTALLATION MANUAL FOR INSTRUCTIONS ON RELIEF CUTTING MOLDINGS

File Name: 20200131_1PTF_Non-Structural_Detail_Set_R3



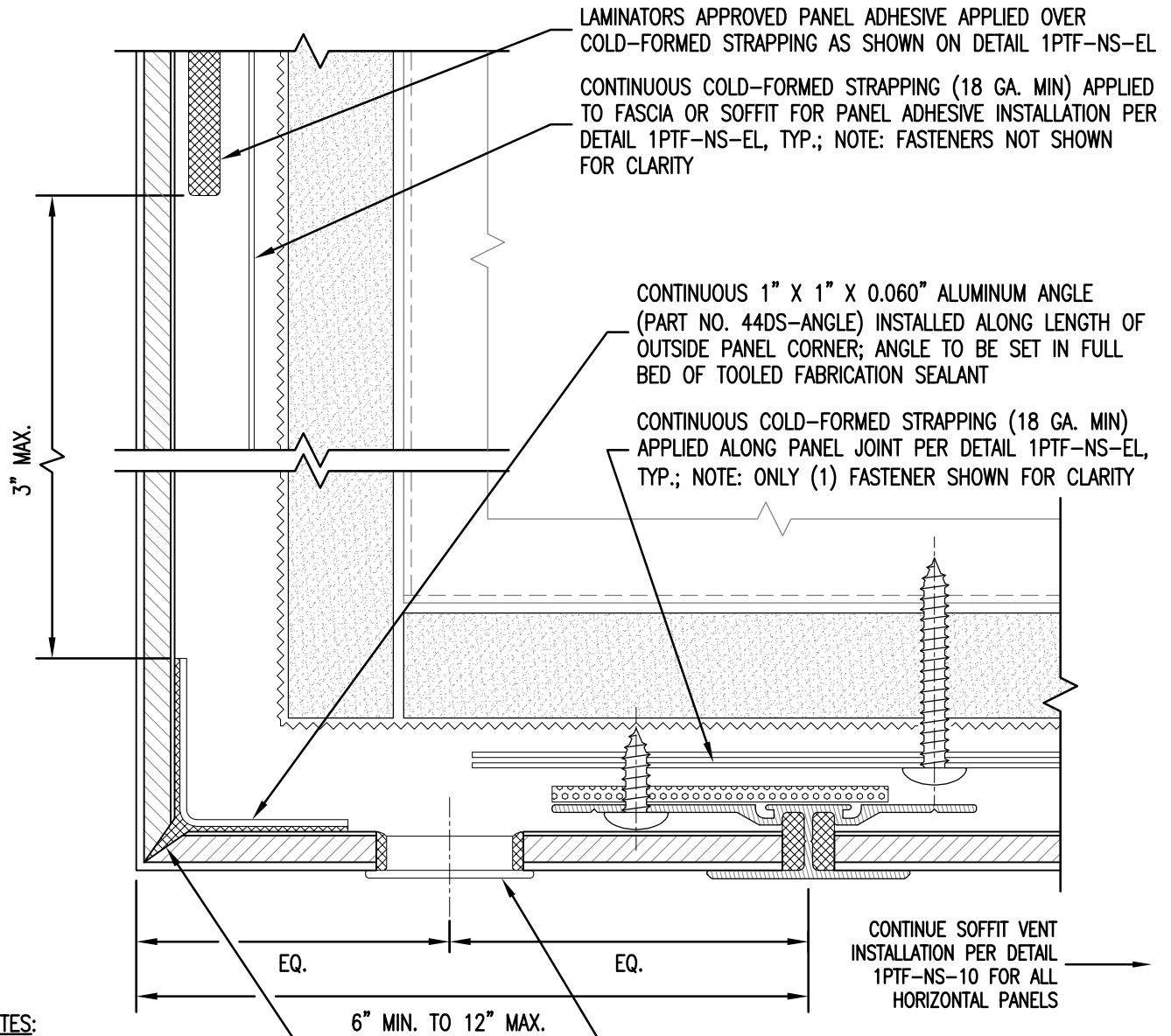
www.LaminatorsInc.com

877.OMEGA.77

TYPICAL FASCIA-TO-SOFFIT TRANSITION DETAIL

1-PIECE, TIGHT-FIT MOLDING INSTALLATION SYSTEM OVER NON-STRUCTURAL SHEATHING

Date: 1/31/2020	Drawn By: JJM	Dwg. No.: 1PTF-NS-09	Rev: 03
--------------------	------------------	-------------------------	------------



LAMINATORS APPROVED PANEL ADHESIVE APPLIED OVER COLD-FORMED STRAPPING AS SHOWN ON DETAIL 1PTF-NS-EL

CONTINUOUS COLD-FORMED STRAPPING (18 GA. MIN) APPLIED TO FASCIA OR SOFFIT FOR PANEL ADHESIVE INSTALLATION PER DETAIL 1PTF-NS-EL, TYP.; NOTE: FASTENERS NOT SHOWN FOR CLARITY

CONTINUOUS 1" X 1" X 0.060" ALUMINUM ANGLE (PART NO. 44DS-ANGLE) INSTALLED ALONG LENGTH OF OUTSIDE PANEL CORNER; ANGLE TO BE SET IN FULL BED OF TOOLED FABRICATION SEALANT

CONTINUOUS COLD-FORMED STRAPPING (18 GA. MIN) APPLIED ALONG PANEL JOINT PER DETAIL 1PTF-NS-EL, TYP.; NOTE: ONLY (1) FASTENER SHOWN FOR CLARITY

CONTINUE SOFFIT VENT INSTALLATION PER DETAIL 1PTF-NS-10 FOR ALL HORIZONTAL PANELS

1" FACE DIA. (3/4" INSERT DIA.) SOFFIT VENT (PART NO. 50280); REFER TO DETAIL 1PTF-NS-10 FOR VENT INSTALLATION INSTRUCTIONS

LAMINATORS APPROVED FABRICATION SEALANT APPLIED TO PANEL ROUT PRIOR TO BENDING TO FORM PANEL CORNER (REFERENCE LAMINATORS ROUT AND RETURN INSTALLATION MANUAL)

3" MAX.

EQ. EQ. 6" MIN. TO 12" MAX.

DETAIL NOTES:

1. SPACING SHOWN BETWEEN PANELS AND SUBSTRATES AND THICKNESS OF SOME PANEL SYSTEM COMPONENTS EXAGGERATED FOR CLARITY
2. REFER TO PARTIAL SYSTEM ELEVATION DETAIL 1PTF-NS-EL FOR REQUIRED STRAPPING, FOAM TAPE, AND PANEL ADHESIVE LAYOUT
3. REFER TO JOINT DETAILS 1PTF-NS-01 & 1PTF-NS-01A FOR FASTENER SPACING AND TYPICAL COMPONENTS NOT ANNOTATED

SECTION VIEW

File Name: 20200131_1PTF_Non-Structural_Detail_Set_R3



www.LaminatorsInc.com

877.OMEGA.77

ALTERNATE FASCIA-TO-SOFFIT TRANSITION
 1-PIECE, TIGHT-FIT MOLDING INSTALLATION SYSTEM OVER NON-STRUCTURAL SHEATHING

Date: 1/31/2020	Drawn By: JJM	Dwg. No.: 1PTF-NS-09A	Rev: 03
--------------------	------------------	--------------------------	------------

STEP 1: DRILL 7/8" DIA. HOLE IN PANEL FOR INSTALLATION OF SOFFIT BUTTON VENT

SUBSTRATE SIDE

7/8"

STEP 2: EDGE SEAL THE PERIMETER OF THE 7/8" DIA. HOLE USING LAMINATORS APPROVED FABRICATION (OR ROOFING GRADE) SEALANT PRIOR TO INSERTING THE VENT (SEALANT MUST BE PUSHED INTO THE FLUTES OF THE PANEL CORE)

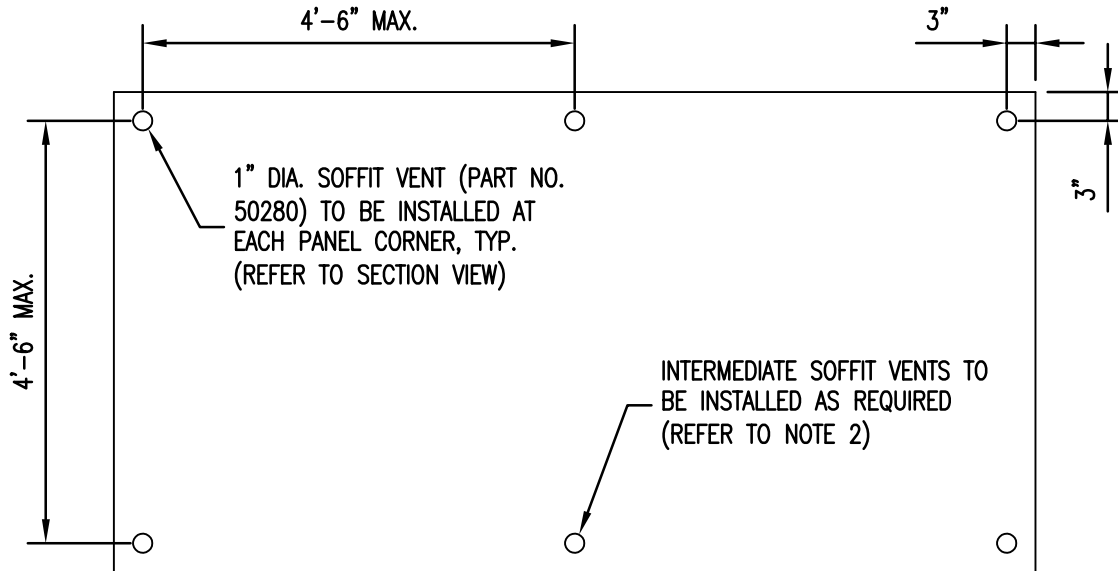
STEP 3: INSTALL AN ADDITIONAL BEAD OF LAMINATORS APPROVED FABRICATION (OR ROOFING GRADE) SEALANT AROUND THE FLANGE OF THE VENT PRIOR TO INSERTING INTO THE HOLE

6mm OMEGA-LITE PANEL, TYP.

1" FACE DIA. (3/4" INSERT DIA.) SOFFIT VENT (PART NO. 50280)

STEP 4: INSERT THE VENT INTO THE DRILLED HOLE WITH A SLIGHT TWISTING MOTION TO ENSURE COMPLETE COVERAGE OF THE SEALANT AND ADHESION TO BOTH THE PANEL AND THE VENT

SECTION VIEW



PLAN VIEW

NOTES:

1. SPACING OF VENTS SHALL NOT EXCEED 4'-6" ALONG ANY PANEL EDGE.
2. FOR PANEL EDGE DIMENSIONS LONGER THAN 4'-6", INTERMEDIATE VENTS SHALL BE INSTALLED WITH EQUAL SPACING SO THAT NO DISTANCE BETWEEN VENTS (MEASURED CENTERLINE TO CENTERLINE) EXCEEDS 4'-6".
3. FOR ANY EDGE DIMENSION 12" AND SMALLER, A SINGLE VENT MAY BE INSTALLED ALONG THE CENTERLINE OF THE PANEL EDGE IN PLACE OF INSTALLATION OF VENTS AT EACH PANEL CORNER.
4. CONTACT LAMINATORS TECHNICAL SUPPORT FOR ADDITIONAL INFORMATION ON REQUIRED SOFFIT VENT INSTALLATION FOR UNIQUE PANEL GEOMETRIES.

File Name: 20200131_1PTF_Non-Structural_Detail_Set_R3



SOFFIT VENT REQUIREMENTS

1-PIECE, TIGHT-FIT MOLDING INSTALLATION SYSTEM OVER NON-STRUCTURAL SHEATHING

Date: 1/31/2020	Drawn By: JJM	Dwg. No.: 1PTF-NS-10	Rev: 03
--------------------	------------------	-------------------------	------------